

FAG



Radial Insert Ball Bearings and Housing Units

Black Series

SCHAEFFLER

Foreword

FAG Black Series

The new radial insert ball bearing and housing units FAG Black Series from Schaeffler give easy mounting, smooth running and high reliability and thus allow particularly economical bearing arrangements.

The dimensions of the FAG housings, made from flake graphite cast iron and with a primer paint coating, conform to JIS B 1559. These single piece cast housings can support moderate to high radial and axial loads. The radial insert ball bearings have basic protection against corrosion due to the Durotect BS coating.

The bearing units are particularly suitable for applications with moderate to high loads.

Typical areas of application are:

- agricultural, construction and mining machinery
- power transmission and conveying equipment
- pumps
- textile, paper and woodworking machinery
- machines for the food container filling, wood and packaging industry
- steel industry.

Radial insert ball bearings

FAG radial insert ball bearings with a spherical outer ring are based on single row deep groove ball bearings 62 and are designed in accordance with JIS B 1558. The outer and inner rings as well as the flinger shields of the radial insert ball bearings are provided with the Durotect BS coating in order to offer basic protection against corrosion. The Black Series radial insert ball bearings are available with two location methods and one type of seal. They can be relubricated and are particularly easy to install.

Housing units with flake graphite cast iron housings

Housing units in accordance with JIS B 1557 comprise FAG flake graphite cast iron housings with a concave bore in which FAG radial insert ball bearings are fitted. These units are matched to each other and are available as plummer block housing units, flanged housing units and take-up housing units.

Radial insert ball bearings with a spherical outer ring, when fitted in housings with a concave bore, can compensate for static misalignment of the shaft.

Housing units are supplied with a loose packed lubrication nipple and integrated end cap for the lubrication nipple as well as an Allen key.

Contents

	Page
Radial insert ball bearings.....	4
Housing units	22

FAG



Radial insert ball bearings

Radial insert ball bearings

	Page
Matrix	Features of radial insert ball bearings, comparison of series..... 6
Product overview	Radial insert ball bearings..... 8
Features	Anti-corrosion protection 9 Location on shaft 9 Sealing 10 Operating temperature..... 10
Design and safety guidelines	Compensation of static misalignments..... 11 Minimum radial load..... 11 Speed limits for radial insert ball bearings..... 12 Shaft tolerances for radial insert ball bearings..... 13
Accuracy	Standard tolerances of radial insert ball bearings 13 Radial internal clearance of radial insert ball bearings 14
Dimension tables	Radial insert ball bearings with grub screws in inner ring, spherical outer ring..... 16 Radial insert ball bearings with adapter sleeve, spherical outer ring..... 20

**Features of
radial insert ball bearings,
comparison of series**

Series	Shaft diameter				Compensation of misalignment	Internal clearance
	mm		inch			
	from	to	from	to		
UC	12	90	$1/2$	$3\frac{1}{2}$	yes	C3
UK	20	80	–	–	yes	C4

1) Attention!

Recommended operating temperature of bearing series.

If temperatures exceed +100 °C, relubrication must be carried out regularly.

2) Temperature peaks of up to +120 °C possible for short periods.

Location	Sealing	Cage material	Greasing	Relubrication facility	Temperature ¹⁾ °C		Comments	Dimension table
					from	to		Page
Grub screw	RSR	PA66	GA13	yes	-20	+100 ²⁾	Corrosion-resistant	16
Adapter sleeve	RSR	PA66	GA13	yes	-20	+100 ²⁾	Corrosion-resistant	20

Product overview Radial insert ball bearings

**With grub screws
in inner ring**

Spherical outer ring



With adapter sleeve

Spherical outer ring



Radial insert ball bearings

Features These radial insert ball bearings are based on single row deep groove ball bearings 62 and comprise a solid section outer ring and an inner ring extended on both sides.

The bearings have plastic cages and are sealed on both sides by single piece seals RSR with a vulcanised seal lip and an outer flinger shield.

The honed raceways of the bearing rings, in conjunction with the high ball grade, ensure quiet running and a reduced frictional torque.

The outer ring has a spherical outside surface. In combination with a housing matched to the design, bearings with a spherical outer ring can compensate static misalignments of the shaft, see page 11.

The radial insert ball bearings are pregreased and can be relubricated by means of two lubrication holes in the outer ring.

Inch size designs The radial insert ball bearings are also available with inch size bore dimensions, see dimension table.

Anti-corrosion protection The inner and outer rings as well as the flinger shields of the radial insert ball bearings are provided with the black Durotect BS coating in order to offer basic protection against corrosion.

Adapter sleeves have a Durotect BS or phosphate coating.

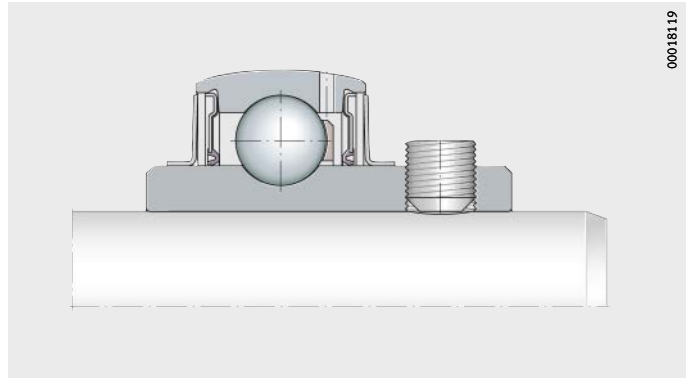
Location on shaft Radial insert ball bearings are particularly easy to fit and are preferentially suitable for drawn shafts with the tolerances h6 © to h9 ©.

In the radial insert ball bearings UC, the inner ring is located on the shaft by means of two grub screws offset by 120°, *Figure 1*, page 10. They are suitable for bearing arrangements with a constant direction of rotation or, under low speed and load, for an alternating direction of rotation.

The grub screws are self-retaining and have a fine pitch thread with cup point for secure location of the bearings. In order to allow better differentiation, the metric grub screws have a Durotect BS coating while the inch size grub screws are zinc plated.

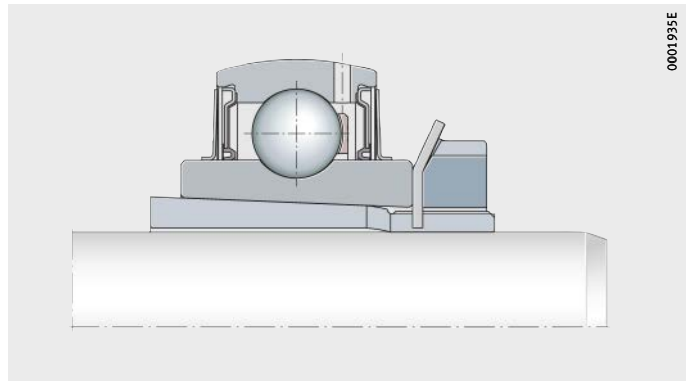
In the case of radial insert ball bearings UK, the inner ring is located on the shaft by means of a concentric adapter sleeve in accordance with JIS B 1552, *Figure 2*, page 10. The roughness of the adapter sleeve on the inside and outside is Ra 2,5. They are suitable for bearing arrangements with an alternating direction of rotation, even under high speed and load.

Radial insert ball bearings



UC

Figure 1
Location by grub screws
in the inner ring



UK

Figure 2
Location by adapter sleeve

Tightening torques

Tightening torques for metric and inch size grub screws, see table, page 34.
Tightening torques for locknuts, see table, page 34.

Sealing

FAG Black Series radial insert ball bearings are supplied with seals RSR, see table.

Seal types

Seal RSR	
	<p>0001811A</p> <p>Single piece, zinc-plated sheet steel washer with vulcanised and radially preloaded seal lip made from NBR and additional flinger shield</p>

Operating temperature

The insert bearings are suitable for operating temperatures of $-20\text{ }^{\circ}\text{C}$ to $+100\text{ }^{\circ}\text{C}$. Temperature peaks of up to $+120\text{ }^{\circ}\text{C}$ are possible for short periods.



In the case of temperatures over $\vartheta = +100\text{ }^{\circ}\text{C}$, relubrication must be carried out regularly.

Design and safety guidelines

Compensation of static misalignments

Bearings with a spherical outer ring, fitted in housings with a concave bore, can compensate for static misalignment of the shaft, *Figure 3*:

For units with a lubrication groove in the housing and a lubrication hole in the radial insert ball bearing, the following applies:

- Up to $\pm 2,5^\circ$, the units can be relubricated.
- Between $\pm 2,5^\circ$ and $\pm 5^\circ$, the facility for relubrication is dependent on the specific unit. Please contact us in this case.
- Above $\pm 5^\circ$, relubrication is no longer possible.



The units must not be used to support swivelling or tumbling motion.

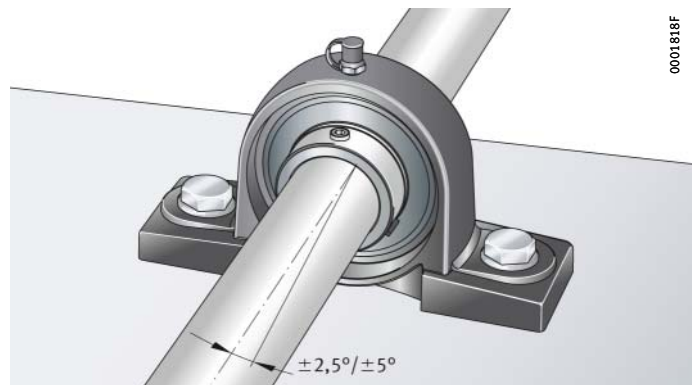


Figure 3
Compensation of static shaft misalignment

Minimum radial load

In order to ensure slippage-free operation, the bearings must be subjected to a minimum radial load. This applies particularly in the case of high speeds and high accelerations. In continuous operation, a minimum radial load of the order of $P \cong 0,01 \cdot C_r$ is necessary for ball bearings with cage.

Radial insert ball bearings

Speed limits for radial insert ball bearings

The speed limits are dependent on the load, the clearance between the bearing bore and shaft and the friction of the seals in the case of bearings with contact seals.

Guide values for the permissible speeds can be derived from the diagram, *Figure 4*.

In the case of load ratios $C_r/P > 13$, the speeds can be increased. At $C_r/P < 5$, location by means of a fit is recommended, see section Conditions of rotation, chapter Technical principles, Catalogue HR 1, Rolling Bearings. For both types of applications, please contact us.

Example of permissible speed calculation

Given:

- Shaft tolerance h6 ©
- Radial insert ball bearing UC206
- Basic dynamic load rating C_r 20 700 N
- Load P 1 300 N
- Sealing Seals RSR.

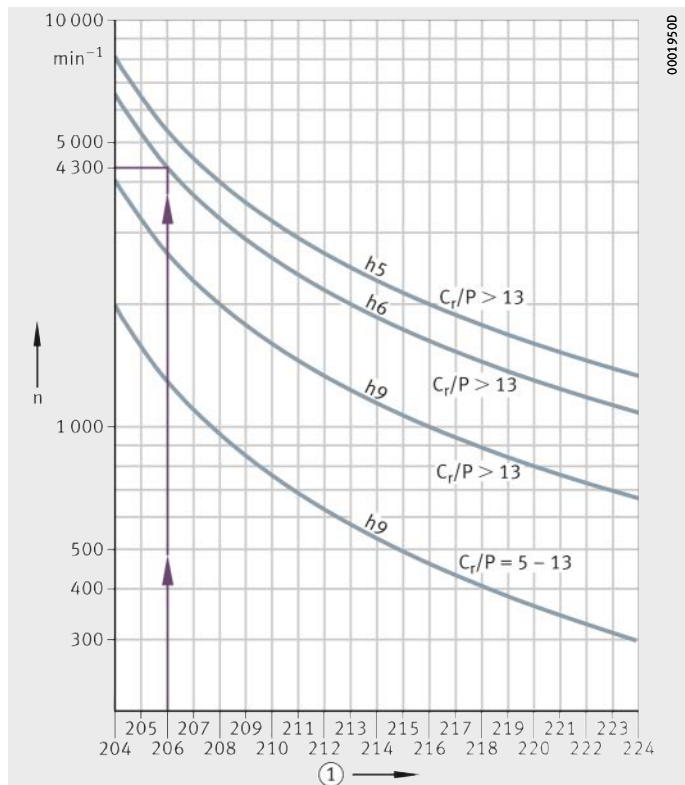
Required:

- Load ratio $C_r/P = 20\,700\text{ N}/1\,300\text{ N}$ $C_r/P > 13$
- Permissible speed $n \approx 4\,300\text{ min}^{-1}$, *Figure 4*.

n = permissible speed
 h5, h6, h9 = shaft tolerance
 (this is subject to the envelope requirement ©)
 C_r/P = load ratio

① Ball set (bearings of sizes 201, 202, 203 and 204 all have the ball set 204)

Figure 4
 Permissible speeds for radial insert ball bearings with seals RSR



Shaft tolerances for radial insert ball bearings

The permissible shaft tolerance is dependent on the speed and load. Tolerances h6 © to h9 © are recommended.

Conventional drawn shafts will suffice for most applications.

Accuracy Standard tolerances of radial insert ball bearings

The outside diameter tolerances of the bearings conform to the tolerances in accordance with JIS B 1558. The inner ring bore has a plus tolerance to allow easier mounting of the bearing, see tables.

Inner ring tolerances

Nominal bearing bore diameter d mm		Variation ¹⁾ Δ_{dmp} μm		Width deviation Δ_{Bs} μm	
over	incl.	min.	max.	min.	max.
10	18	0	+15	-120	0
18	31,75	0	+18	-120	0
31,75	50,8	0	+21	-120	0
50,8	80,962	0	+24	-150	0
80,962	120	0	+28	-200	0

¹⁾ This corresponds to the arithmetic mean value derived from the largest and smallest diameters (measured using a two-point measuring device).

Outer ring tolerances

Nominal outside diameter D_{sp} mm		Variation ¹⁾ Δ_{Dm} μm	
over	incl.	min.	max.
30	50	-11	0
50	80	-13	0
80	120	-15	0
120	150	-18	0
150	180	-25	0
180	250	-30	0

¹⁾ In the case of sealed bearings, the largest and smallest values of the outside diameter can deviate from the mean value by approx. 0,03 mm.

Radial insert ball bearings

Radial internal clearance of radial insert ball bearings

The radial internal clearance in accordance with JIS B 1520 is C3 for radial insert ball bearings UC and C4 for radial insert ball bearings UK. It is thus larger than in the case of normal deep groove ball bearings, see table.

The larger internal clearance allows better support of misalignments and shaft deflection.

Radial internal clearance

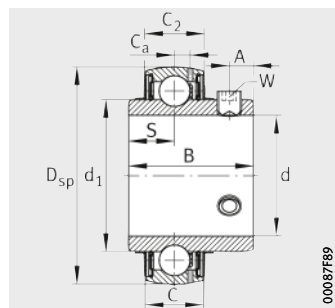
Bore		Ball set	Outside diameter D mm	Radial internal clearance			
d mm	inch			C3 μm		C4 μm	
				min.	max.	min.	max.
12	–	204	47	13	28	20	36
12,7	1/2						
14,288	9/16						
15	–						
15,875	5/8						
17	–						
17,462	11/16						
19,05	3/4						
20	–						
20,638	13/16	205	52	13	28	23	41
22,225	7/8						
23,812	15/16						
25	–						
25,4	1						
26,988	1 1/16						
28,575	1 1/8	206	62	13	28	23	41
30	–						
30,162	1 3/16						
31,75	1 1/4						
31,75	1 1/4						
33,338	1 5/16	207	72	15	33	28	46
34,925	1 3/8						
35	–						
36,512	1 7/16						
38,1	1 1/2						
39,688	1 9/16	208	80	15	33	28	46
40	–						
41,275	1 5/8	209	85	15	33	28	46
42,862	1 11/16						
44,45	1 3/4						
45	–						
46,038	1 13/16	210	90	18	36	30	51
47,625	1 7/8						
49,212	1 15/16						
50	–						
50,8	2						

Radial internal clearance
(continued)

Bore		Ball set	Outside diameter D mm	Radial internal clearance			
d				C3		C4	
mm	inch			μm	μm	min.	max.
50,8	2	211	100	23	43	38	61
52,388	2 ^{1/16}						
53,975	2 ^{1/8}						
55	–						
55,562	2 ^{3/16}						
57,15	2 ^{1/4}	212	110	23	43	38	61
58,738	2 ^{5/16}						
60	–						
60,325	2 ^{3/8}						
61,912	2 ^{7/16}	213	120	23	43	38	61
63,5	2 ^{1/2}						
65	–						
65,09	2 ^{9/16}	214	125	23	43	38	61
66,675	2 ^{5/8}						
68,262	2 ^{11/16}						
69,85	2 ^{3/4}						
70	–						
71,438	2 ^{13/16}	215	130	25	51	46	71
73,025	2 ^{7/8}						
74,612	2 ^{15/16}						
75	–						
76,2	3						
77,787	3 ^{1/16}	216	140	25	51	46	71
79,375	3 ^{1/8}						
80	–						
80,962	3 ^{3/16}						
82,55	3 ^{1/4}	217	150	25	51	46	71
84,137	3 ^{5/16}						
85	–						
87,312	3 ^{7/16}						
88,9	3 ^{1/2}	218	160	30	58	53	84
90	–						
93,662	3 ^{11/16}	219	170	30	58	53	84
95	–						
100	–	220	180	30	58	53	84
100,012	3 ^{15/16}						
101,6	4						

Radial insert ball bearings with grub screws in inner ring

Spherical outer ring



UC

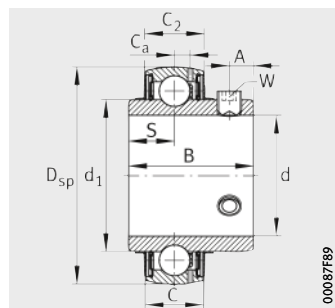
Dimension table · Dimensions in mm and inch

Designation	Mass m ≈ kg	Dimensions						
		d		D _{sp}	C	C ₂	B	S
		mm	inch					
UC201	0,2	12	–	47	17	16,8	31	12,7
UC201-08	0,2	12,7	1/2	47	17	16,8	31	12,7
UC202-09	0,19	14,288	9/16	47	17	16,8	31	12,7
UC202	0,18	15	–	47	17	16,8	31	12,7
UC202-10	0,18	15,875	5/8	47	17	16,8	31	12,7
UC203	0,17	17	–	47	17	16,8	31	12,7
UC203-11	0,17	17,463	11/16	47	17	16,8	31	12,7
UC204-12	0,16	19,05	3/4	47	17	16,8	31	12,7
UC204	0,15	20	–	47	17	16,8	31	12,7
UC205-13	0,24	20,638	13/16	52	17	17,6	34,1	14,3
UC205-14	0,22	22,225	7/8	52	17	17,6	34,1	14,3
UC205-15	0,21	23,813	15/16	52	17	17,6	34,1	14,3
UC205	0,2	25	–	52	17	17,6	34,1	14,3
UC205-16	0,19	25,4	1	52	17	17,6	34,1	14,3
UC206-17	0,35	26,988	1 1/16	62	19	19,6	38,1	15,9
UC206-18	0,33	28,575	1 1/8	62	19	19,6	38,1	15,9
UC206	0,31	30	–	62	19	19,6	38,1	15,9
UC206-19	0,31	30,163	1 3/16	62	19	19,6	38,1	15,9
UC206-20	0,29	31,75	1 1/4	62	19	19,6	38,1	15,9
UC207-20	0,52	31,75	1 1/4	72	20	20,6	42,9	17,5
UC207-21	0,5	33,338	1 5/16	72	20	20,6	42,9	17,5
UC207-22	0,47	34,925	1 3/8	72	20	20,6	42,9	17,5
UC207	0,47	35	–	72	20	20,6	42,9	17,5
UC207-23	0,44	36,513	1 7/16	72	20	20,6	42,9	17,5
UC208-24	0,66	38,1	1 1/2	80	21	21,6	49,2	19
UC208-25	0,63	39,688	1 9/16	80	21	21,6	49,2	19
UC208	0,62	40	–	80	21	21,6	49,2	19
UC209-26	0,79	41,275	1 5/8	85	22	22,6	49,2	19
UC209-27	0,75	42,863	1 11/16	85	22	22,6	49,2	19
UC209-28	0,71	44,45	1 3/4	85	22	22,6	49,2	19
UC209	0,69	45	–	85	22	22,6	49,2	19
UC210-29	0,92	46,038	1 13/16	90	24	24,6	51,6	19
UC210-30	0,87	47,625	1 7/8	90	24	24,6	51,6	19
UC210-31	0,82	49,213	1 15/16	90	24	24,6	51,6	19
UC210	0,8	50	–	90	24	24,6	51,6	19
UC210-32	0,77	50,8	2	90	24	24,6	51,6	19

			Width across flats		Basic load ratings		Fatigue limit load	Factor
d ₁	C _a	A	W		dyn. C _r	stat. C _{0r}	C _{ur}	f ₀
			mm	inch	N	N		
27,56	4,2	5	3	–	13 600	6 600	335	13,1
27,56	4,2	5	–	1/8	13 600	6 600	335	13,1
27,56	4,2	5	–	1/8	13 600	6 600	335	13,1
27,56	4,2	5	3	–	13 600	6 600	335	13,1
27,56	4,2	5	–	1/8	13 600	6 600	335	13,1
27,56	4,2	5	3	–	13 600	6 600	335	13,1
27,56	4,2	5	–	1/8	13 600	6 600	335	13,1
27,56	4,2	5	–	1/8	13 600	6 600	335	13,1
27,56	4,2	5	3	–	13 600	6 600	335	13,1
33,83	4,2	5	–	1/8	14 900	7 800	395	13,8
33,83	4,2	5	–	1/8	14 900	7 800	395	13,8
33,83	4,2	5	–	1/8	14 900	7 800	395	13,8
33,83	4,2	5	3	–	14 900	7 800	395	13,8
33,83	4,2	5	–	1/8	14 900	7 800	395	13,8
40,2	5	5	–	1/8	20 700	11 300	570	13,8
40,2	5	5	–	1/8	20 700	11 300	570	13,8
40,2	5	5	3	–	20 700	11 300	570	13,8
40,2	5	5	–	1/8	20 700	11 300	570	13,8
40,2	5	5	–	1/8	20 700	11 300	570	13,8
46,84	5,7	7	–	5/32	27 500	15 300	770	13,8
46,84	5,7	7	–	5/32	27 500	15 300	770	13,8
46,84	5,7	7	–	5/32	27 500	15 300	770	13,8
46,84	5,7	7	4	–	27 500	15 300	770	13,8
46,84	5,7	7	–	5/32	27 500	15 300	770	13,8
52,27	6,2	8	–	5/32	34 500	19 800	1 010	14
52,27	6,2	8	–	5/32	34 500	19 800	1 010	14
52,27	6,2	8	4	–	34 500	19 800	1 010	14
57,91	6,3	8	–	5/32	34 500	20 400	1 030	14,3
57,91	6,3	8	–	5/32	34 500	20 400	1 030	14,3
57,91	6,3	8	–	5/32	34 500	20 400	1 030	14,3
57,91	6,3	8	4	–	34 500	20 400	1 030	14,3
62,84	6,5	10	–	3/16	37 500	23 200	1 180	14,3
62,84	6,5	10	–	3/16	37 500	23 200	1 180	14,3
62,84	6,5	10	–	3/16	37 500	23 200	1 180	14,3
62,84	6,5	10	5	–	37 500	23 200	1 180	14,3
62,84	6,5	10	–	3/16	37 500	23 200	1 180	14,3

Radial insert ball bearings with grub screws in inner ring

Spherical outer ring



UC

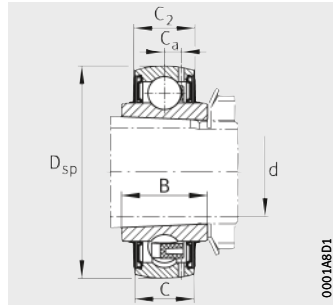
Dimension table (continued) - Dimensions in mm and inch

Designation	Mass m ≈ kg	Dimensions						
		d		D _{sp}	C	C ₂	B	S
		mm	inch					
UC211-32	1,22	50,8	2	100	25	25,6	55,6	22,2
UC211-33	1,17	52,388	2 ¹ / ₁₆	100	25	25,6	55,6	22,2
UC211-34	1,11	53,975	2 ¹ / ₈	100	25	25,6	55,6	22,2
UC211	1,07	55	–	100	25	25,6	55,6	22,2
UC211-35	1,05	55,563	2 ³ / ₁₆	100	25	25,6	55,6	22,2
UC212-36	1,62	57,15	2 ¹ / ₄	110	27	27,6	65,1	25,4
UC212-37	1,55	58,738	2 ⁵ / ₁₆	110	27	27,6	65,1	25,4
UC212	1,49	60	–	110	27	27,6	65,1	25,4
UC212-38	1,48	60,325	2 ³ / ₈	110	27	27,6	65,1	25,4
UC212-39	1,4	61,913	2 ⁷ / ₁₆	110	27	27,6	65,1	25,4
UC213-40	1,79	63,5	2 ¹ / ₂	120	28	29,4	65,1	25,4
UC213	1,72	65	–	120	28	29,4	65,1	25,4
UC213-41	1,71	65,088	2 ⁹ / ₁₆	120	28	29,4	65,1	25,4
UC214-42	2,17	66,675	2 ⁵ / ₈	125	30	31,4	74,6	30,2
UC214-43	2,07	68,263	2 ¹¹ / ₁₆	125	30	31,4	74,6	30,2
UC214-44	1,97	69,85	2 ³ / ₄	125	30	31,4	74,6	30,2
UC214	1,96	70	–	125	30	31,4	74,6	30,2
UC215-45	2,39	71,438	2 ¹³ / ₁₆	130	32	33,4	77,8	33,3
UC215-46	2,28	73,025	2 ⁷ / ₈	130	32	33,4	77,8	33,3
UC215-47	2,17	74,613	2 ¹⁵ / ₁₆	130	32	33,4	77,8	33,3
UC215	2,14	75	–	130	32	33,4	77,8	33,3
UC215-48	2,06	76,2	3	130	32	33,4	77,8	33,3
UC216-49	2,88	77,788	3 ¹ / ₁₆	140	33	34,4	82,6	33,3
UC216-50	2,76	79,375	3 ¹ / ₈	140	33	34,4	82,6	33,3
UC216	2,71	80	–	140	33	34,4	82,6	33,3
UC216-51	2,63	80,963	3 ³ / ₁₆	140	33	34,4	82,6	33,3
UC217-52	3,62	82,55	3 ¹ / ₄	150	35	36,4	85,7	34,1
UC217-53	3,48	84,138	3 ⁵ / ₁₆	150	35	36,4	85,7	34,1
UC217	3,41	85	–	150	35	36,4	85,7	34,1
UC217-55	3,2	87,313	3 ⁷ / ₁₆	150	35	36,4	85,7	34,1
UC218-56	4,2	88,9	3 ¹ / ₂	160	38	39,4	96	39,7
UC218	4,08	90	–	160	38	39,4	96	39,7

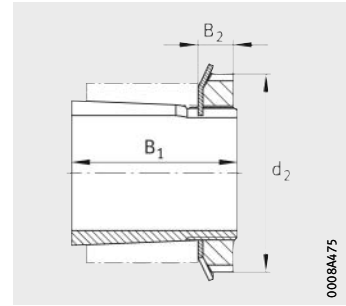
			Width across flats		Basic load ratings		Fatigue limit load	Factor
d ₁	C _a	A	W		dyn. C _r	stat. C _{0r}	C _{ur}	f ₀
			mm	inch	N	N		
69,77	7	10	–	3/16	46 000	29 000	1 480	14,3
69,77	7	10	–	3/16	46 000	29 000	1 480	14,3
69,77	7	10	–	3/16	46 000	29 000	1 480	14,3
69,77	7	10	5	–	46 000	29 000	1 480	14,3
69,77	7	10	–	3/16	46 000	29 000	1 480	14,3
76,48	7,4	10	–	3/16	56 000	36 000	1 820	14,3
76,48	7,4	10	–	3/16	56 000	36 000	1 820	14,3
76,48	7,4	10	5	–	56 000	36 000	1 820	14,3
76,48	7,4	10	–	3/16	56 000	36 000	1 820	14,3
76,48	7,4	10	–	3/16	56 000	36 000	1 820	14,3
80,85	8,2	12	–	1/4	61 000	40 000	2 030	14,3
80,85	8,2	12	6	–	61 000	40 000	2 030	14,3
80,85	8,2	12	–	1/4	61 000	40 000	2 030	14,3
85,2	8,5	12	–	1/4	66 000	44 000	2 230	14,4
85,2	8,5	12	–	1/4	66 000	44 000	2 230	14,4
85,2	8,5	12	–	1/4	66 000	44 000	2 230	14,4
85,2	8,5	12	6	–	66 000	44 000	2 230	14,4
90	8,5	12	–	1/4	66 000	44 500	2 240	14,7
90	8,5	12	–	1/4	66 000	44 500	2 240	14,7
90	8,5	12	–	1/4	66 000	44 500	2 240	14,7
90	8,5	12	6	–	66 000	44 500	2 240	14,7
90	8,5	12	–	1/4	66 000	44 500	2 240	14,7
97	9,3	14	–	1/4	76 000	54 000	2 600	14,6
97	9,3	14	–	1/4	76 000	54 000	2 600	14,6
97	9,3	14	6	–	76 000	54 000	2 600	14,6
97	9,3	14	–	1/4	76 000	54 000	2 600	14,6
104,09	10	14	–	1/4	88 000	64 000	2 950	14,7
104,09	10	14	–	1/4	88 000	64 000	2 950	14,7
104,09	10	14	6	–	88 000	64 000	2 950	14,7
104,09	10	14	–	1/4	88 000	64 000	2 950	14,7
109,4	11	15	–	1/4	102 000	72 000	3 250	14,5
109,4	11	15	6	–	102 000	72 000	3 250	14,5

Radial insert ball bearings with adapter sleeve

Spherical outer ring



UK



Complete adapter sleeve¹⁾

Dimension table - Dimensions in mm

Designation	Mass m ≈ kg	Dimensions						Basic load ratings		Fatigue limit load C _{ur} N	Factor f ₀
		d	D _{sp}	C	C ₂	B	C _a	dyn. C _r N	stat. C _{0r} N		
UK205	0,25	20	52	17	17,6	23	4,2	14 900	7 800	395	13,8
UK206	0,37	25	62	19	19,6	26	5	20 700	11 300	570	13,8
UK207	0,54	30	72	20	20,6	29	5,7	27 500	15 300	770	13,8
UK208	0,7	35	80	21	21,6	31	6,2	34 500	19 800	1 010	14
UK209	0,83	40	85	22	22,6	32	6,3	34 500	20 400	1 030	14,3
UK210	0,98	45	90	24	24,6	34	6,5	37 500	23 200	1 180	14,3
UK211	1,24	50	100	25	25,6	36	7	46 000	29 000	1 480	14,3
UK212	1,58	55	110	27	27,6	40	7,4	56 000	36 000	1 820	14,3
UK213	1,88	60	120	28	29,4	41	8,2	61 000	40 000	2 030	14,3
UK215	2,62	65	130	32	33,4	44,5	8,5	66 000	44 500	2 240	14,7
UK216	3,23	70	140	33	34,4	46	9,3	76 000	54 000	2 600	14,6
UK217	3,9	75	150	35	36,4	48	10	88 000	64 000	2 950	14,7
UK218	4,62	80	160	38	39,4	51	11	102 000	72 000	3 250	14,5

¹⁾ Radial insert ball bearings UK are supplied with an adapter sleeve H..X.

Designation					Mass m ≈ kg	Dimensions		
Complete adapter sleeve	Sleeve	Locknut	Tab washer	Matching bearing		B ₁	B ₂	d ₂ max.
H2305X	A2305X	AN05	AW05X	UK205	0,1	35	8	38
H2306X	A2306X	AN06	AW06X	UK206	0,13	38	8	45
H2307X	A2307X	AN07	AW07X	UK207	0,18	43	9	52
H2308X	A2308X	AN08	AW08X	UK208	0,23	46	10	58
H2309X	A2309X	AN09	AW09X	UK209	0,31	50	11	65
H2310X	A2310X	AN10	AW10X	UK210	0,38	55	12	70
H2311X	A2311X	AN11	AW11X	UK211	0,45	59	12	75
H2312X	A2312X	AN12	AW12X	UK212	0,5	62	13	80
H2313X	A2313X	AN13	AW13X	UK213	0,58	65	14	85
H2315X	A2315X	AN15	AW15X	UK215	1,1	73	15	98
H2316X	A2316X	AN16	AW16X	UK216	1,33	78	17	105
H2317X	A2317X	AN17	AW17X	UK217	1,51	82	18	110
H2318X	A2318X	AN18	AW18X	UK218	1,77	86	18	120

FAG

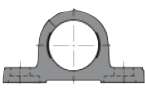

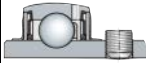
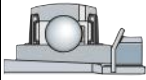


Housing units

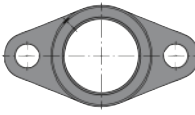
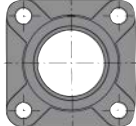

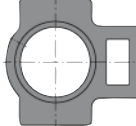

Housing units

	Page
Matrix	Possible combinations of radial insert ball bearings and housings 24
Product overview	Housing units 26
Features	Housing units with flake graphite cast iron housing 28
	Operating temperature..... 30
Design and safety guidelines	Compensation of static misalignments..... 31
	Load carrying capacity of housings..... 31
	Load carrying capacity and speed limits of radial insert ball bearings..... 31
	Design of adjacent construction 31
	Mounting and dismounting 32
Accuracy	Dimensional tolerances 35
Dimension tables	Plummer block housing units, flake graphite cast iron housing with long base
	with grub screws in inner ring 36
	with adapter sleeve 40
	Plummer block housing units, flake graphite cast iron housing with short base
	with grub screws in inner ring 42
	Two-bolt flanged housing units, oval version
	with grub screws in inner ring 44
	with adapter sleeve 46
	Four-bolt flanged housing units, square version
	with grub screws in inner ring 47
	with adapter sleeve 49
	Four-bolt flanged housing units, round version
	with grub screws in inner ring 50
	with adapter sleeve 54
	Take-up housing units, for linear motion
	with grub screws in inner ring 56
	with adapter sleeve 60
	Take-up housing units, for swivel motion
	with grub screws in inner ring 62

Possible combinations of radial insert ball bearings and housings

Radial insert ball bearing		Housing	
		Plummer block housing	
			
Designation		P	PA
Shaft diameter d			
UC 12 mm – 90 mm <i>1/2" – 3 1/2"</i>		UCP page 36	UCPA page 42
UK 20 mm – 80 mm		UKP page 40	Available by agreement

Catalogue range, for dimension tables see pages indicated.
Other dimensions and combinations available by agreement.

Two-bolt flanged housing	Four-bolt flanged housing		Take-up housing	
				
FL	F	FC	T	FA
UCFL page 44	UCF page 47	UCFC page 50	UCT page 56	UCFA page 62
UKFL page 46	UKF page 49	UKFC page 54	UKT page 60	Available by agreement

Product overview Housing units

Plummer block housing units

Flake graphite cast iron housing with long base



Flake graphite cast iron housing with short base



Two-bolt flanged housing units

Flake graphite cast iron housing



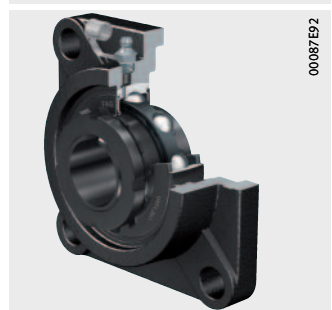
Four-bolt flanged housing units

Flake graphite cast iron housing

UCF



UKF



UCFC



UKFC



Take-up housing units

Flake graphite cast iron housing

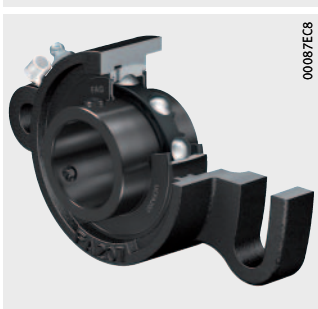
UCT



UKT



UCFA



Housing units

Features These housing units are available as plummer block housing units, flanged housing units and take-up housing units. The units are ready-to-fit and comprise FAG flake graphite cast iron housings in which FAG Black Series radial insert ball bearings are fitted. In order to ensure function and reliability under all operating conditions, the bearings and housings are matched to each other.

Due to the spherical outer ring of the bearing and the concave housing bore, housing units can compensate for static misalignments of the shaft, see page 31.

The housings are screw mounted on the adjacent construction. Less stringent tolerances are sufficient for the screw mounting surfaces, see page 31.

Housing units with flake graphite cast iron housing

The flake graphite cast iron housings are single piece components in accordance with JIS B 1559 and have high radial and axial load carrying capacity, see page 31.

The housing has a lubrication groove for relubrication of the radial insert ball bearing. The housing has a lubrication hole with an M6 thread for a lubrication nipple.

The housings have a primer paint coating as anti-corrosion protection of colour RAL 9005 (black).

Housing material

The material used for the flake graphite cast iron housings is cast iron in accordance with JIS G 5501.

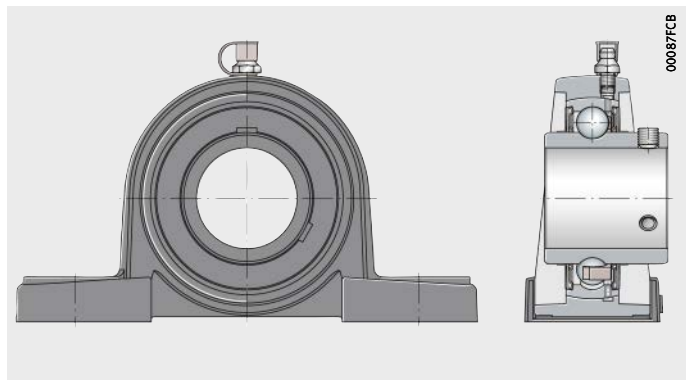
Plummer block housing units

Plummer block housing units have a housing with a short or long base and are screw mounted to the adjacent construction through slot holes or fixing holes, *Figure 1* and *Figure 2*, page 29.

Plummer block housing units with a long base are available either with radial insert ball bearings UC with grub screws or with radial insert ball bearings UK with adapter sleeves, see dimension table.

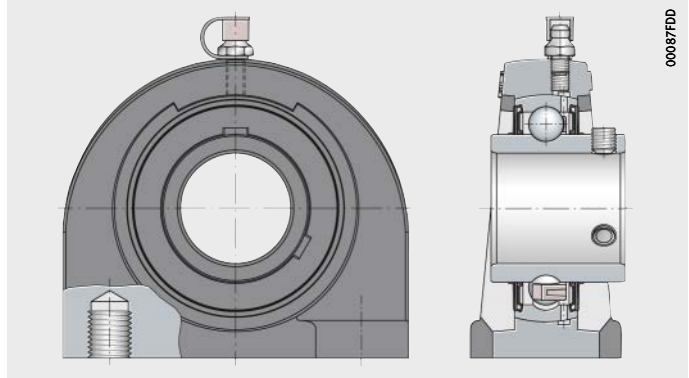
UCP

Figure 1
Plummer block housing unit,
flake graphite cast iron housing
with long base



UCPA

Figure 2
Plummer block housing unit
with short base



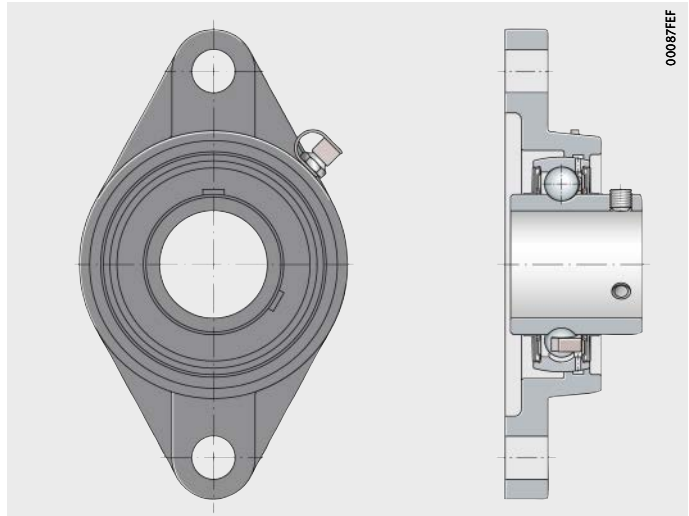
Flanged housing units

Flanged housing units are available as two-bolt and four-bolt units, *Figure 3* to *Figure 5*, page 30. The housings are oval, square or round in shape. The housings have through holes for location purposes.

Flanged housing units are available either with radial insert ball bearings UC with grub screws or with radial insert ball bearings UK with adapter sleeves, see dimension table.

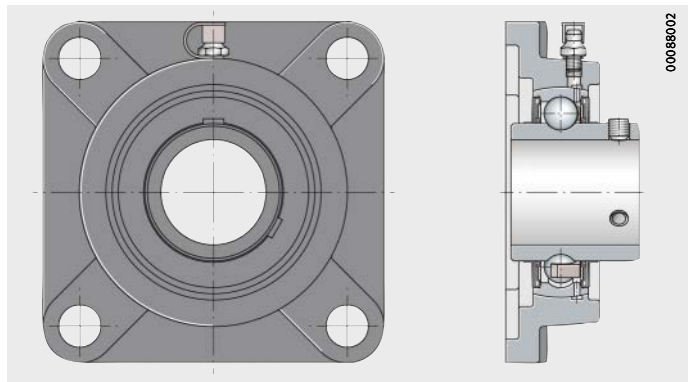
UCFL

Figure 3
Two-bolt flanged housing unit,
oval version



UCF

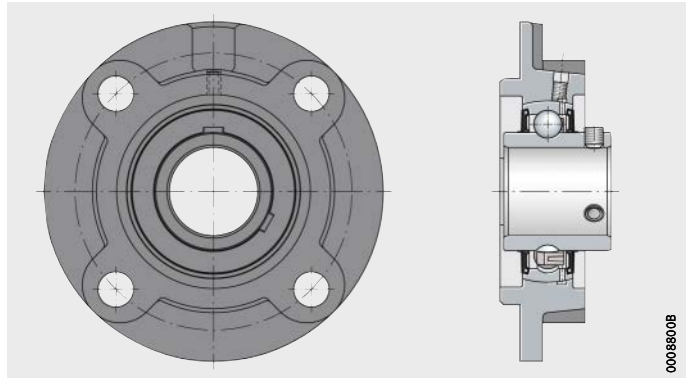
Figure 4
Four-bolt flanged housing unit,
square version



Housing units

UCFC

Figure 5
Four-bolt flanged housing unit,
round version

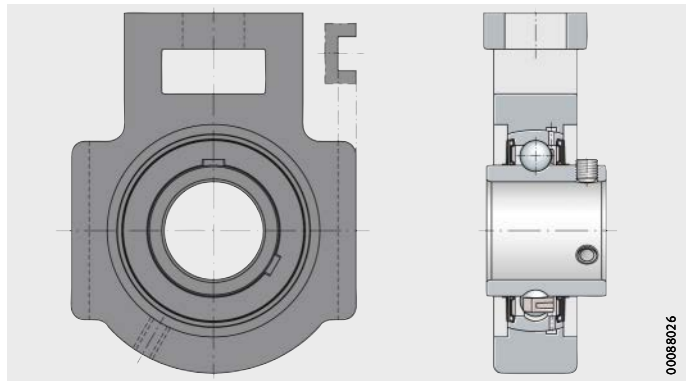


Take-up housing units

Take-up housing units can be moved or swivelled, *Figure 6* and *Figure 7*. They are used where shafts must carry out long displacement motions.

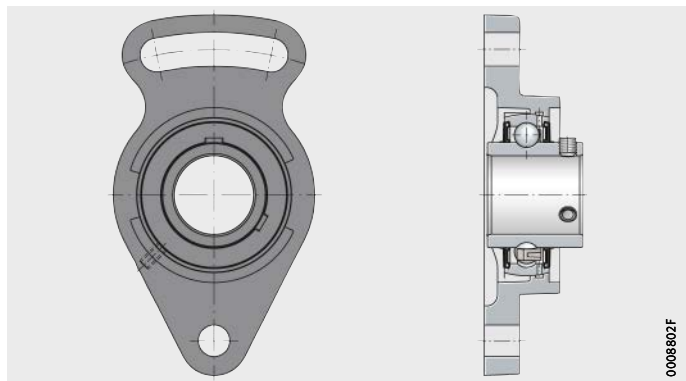
UCT

Figure 6
Take-up housing unit
for linear motion



UCFA

Figure 7
Take-up housing unit
for swivel motion



Operating temperature

Housing units are suitable for operating temperatures of $-20\text{ }^{\circ}\text{C}$ to $+100\text{ }^{\circ}\text{C}$. Temperature peaks of up to $+120\text{ }^{\circ}\text{C}$ are possible for short periods.

Design and safety guidelines

Compensation of static misalignments

Units with a spherical outer ring and concave housing bore can compensate static misalignments of the shaft, see page 11.

Load carrying capacity of housings

Due to their versatile characteristics, FAG housing units can be easily used in almost all industrial sectors.

Radial load carrying capacity

Flake graphite cast iron housings can support the same radial loads as the radial insert ball bearings fitted. The static load carrying capacity C_{0r} of the radial insert ball bearings is stated in the dimension tables.



Where shock loads are present, appropriate safety factors must be applied. In this case, please contact us.

Axial load carrying capacity

The axial load carrying capacity of flake graphite cast iron housings is restricted to $0,5 \times C_{0r}$.

Load carrying capacity and speed limits of radial insert ball bearings



In the design of housing units, attention must be paid to the load carrying capacity and speed limits of the radial insert ball bearings fitted:

- speed limits, see page 12
- dimension table, see page 16.

Design of adjacent construction

The permissible shaft tolerance is dependent on the speed and load. Shafts of the tolerance classes h6 \oplus to h9 \oplus can be used.

Screw mounting surfaces

Recommendations for the screw mounting surfaces are as follows:

- The roughness of the screw mounting surface should be max. Ra 12,5 (Rzmax 63)
- The geometrical tolerance should be 0,04/100 concave, a spherical form is not permissible
- In addition, it is recommended that the housings should be secured by dowels to the locating surface if higher loads acting parallel to the locating surface occur.

Fixing screws

The screw connection should be designed in accordance with the state of the art; friction coefficient $\mu = 0,12$ (90%).

Screws of grade 8.8 or better can be used for fixing.

The maximum tightening torques applicable to this screw grade must not be exceeded even if screws of a higher grade are used.

In principle, we recommend that the screw connection should only be tightened to 70% of the values stated in the standard.

For fixing, hexagonal socket head screws in accordance with DIN EN ISO 4762 or hexagonal socket head screws with a coarse pitch full thread in accordance with DIN EN ISO 4017 should be used. The screws should be combined as a minimum with a washer in accordance with DIN EN ISO 7089 or DIN EN ISO 7090.

Screws and accessories for location are not included in the delivery.

Housing units

Mounting and dismounting	Radial insert ball bearings must be handled with care before and during mounting. Their trouble-free operation is also dependent on the care taken during mounting.
Delivered condition	The housings have a coating of black primer paint (RAL 9005). The radial insert ball bearings are greased using a grease in grease group GA13, see Catalogue HR 1, Rolling Bearings. The housing units are supplied with a loose packed lubrication nipple and integrated end cap for the lubrication nipple as well as an Allen key.
Storage and shelf life	The units should be stored in dry, clean rooms with a temperature as constant as possible and at a relative humidity of max. 65%. The storage life of radial insert ball bearings is limited by the shelf life of the grease, see chapter Technical principles in Catalogue HR 1, Rolling Bearings.
Removal from packaging	Perspiration causes corrosion. Hands must therefore be kept clean and dry. Bearings should not be removed from their original packaging until immediately before mounting.
Preparation for mounting	The following preparatory measures for mounting should be taken: <ul style="list-style-type: none">■ Ensure that the mounting tools and fixing screws are present.■ Clean the shaft and remove any burrs.■ Inspect the bearing seating surfaces on the shaft.■ Keep bearing seating surfaces clean, dry and free of grease.

Mounting of plummer block and flanged housing units



The assembly area should be as dry and clean as possible:

- The specified shaft tolerances must be observed, see page 31.
- Mounting forces must never be directed through the rolling elements.
- Blows should never be applied directly to the bearing rings and flinger shields or seals.
- Observe the tightening torques M_A for grub screws and adapter sleeve, see tables, page 34.

If the following sequence is observed, the bearing will align itself on the shaft in such a way that no undesirable stresses occur:

- ▶ Slide the housing unit onto the shaft and align it with the fixing holes in the adjacent construction, *Figure 8*.
- ▶ Tighten the fixing screws for all housings finger tight in the adjacent construction and align the shaft, *Figure 9*.
- ▶ Tighten both grub screws in the inner ring (for radial insert ball bearing UC) or the locknut of the adapter sleeve (for radial insert ball bearing UK) using a tightening torque (with an additional adapter if necessary) to the specified tightening torque, *Figure 10*, page 34.
- ▶ Locate the housings on the adjacent construction using the recommended tightening torque, see page 31.

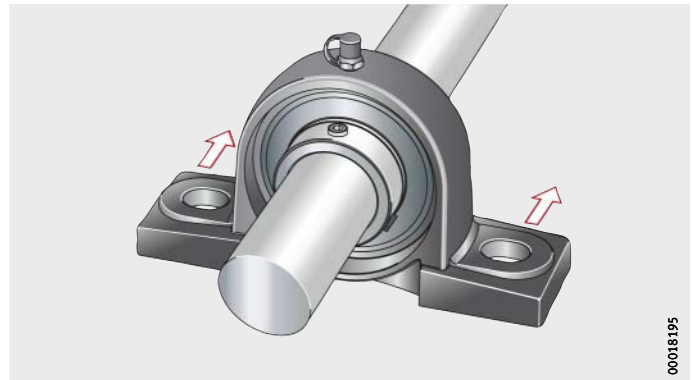


Figure 8
Sliding the unit onto the shaft

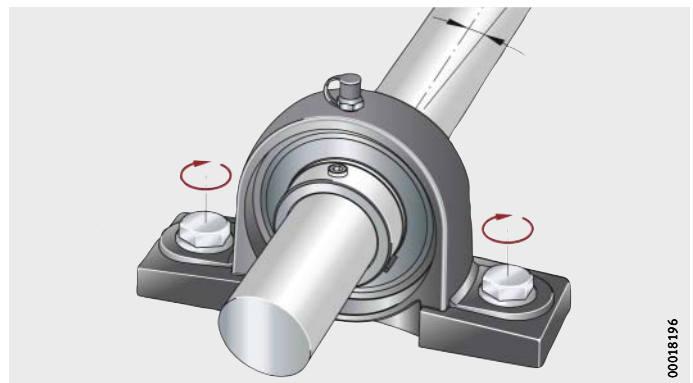


Figure 9
Screw mounting
the housing finger tight

Housing units

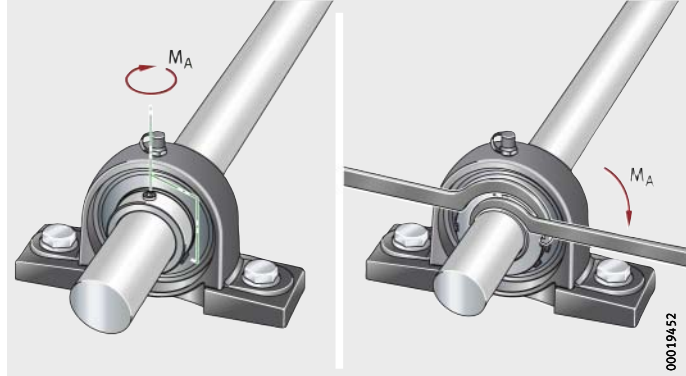


Figure 10
Fully tightening the grub screws or locknut in the inner ring

Tightening torques for grub screws

Width across flats W		Thread		Tightening torques ¹⁾ M_A
mm	inch	ISO	UNF	Nm
3	1/8	M6×0,75	1/4"-28	6
4	5/32	M8×1	5/16"-24	14
5	3/16	M10×1,25	3/8"-24	26
6	1/4	M12×1,5	1/2"-20	42

¹⁾ The tightening torques are valid for original FAG grub screws only.

Tightening torques for locknut

Locknut	Tightening torques M_A Nm
AN05	25
AN06	30
AN07	40
AN08	50
AN09	60
AN10	75
AN11	100
AN12	130
AN13	150
AN15	170
AN16	200
AN17	230
AN18	270

Dismounting

The units are dismantled in the reverse sequence.

- ▶ Loosen the grub screws in the inner ring or the locknut of the adapter sleeve.
- ▶ Unscrew the housing.

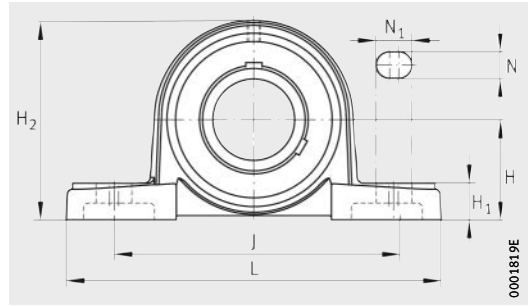
Accuracy The flake graphite cast iron housings conform to JIS B 1559.
Accuracy of fitted radial insert ball bearings: see page 13.

Dimensional tolerances The dimensional tolerances for the machined surfaces of the flake graphite cast iron housings are $\pm 0,25$ mm.
Dimensions without tolerance conform to JIS B 0403:

- unfinished dimensions to Table 1, class CT 10
- finished dimensions to Table 5.

Plummer block housing units

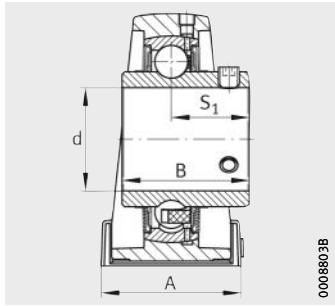
Flake graphite cast iron housing
with long base
With grub screws in inner ring



UCP

Dimension table - Dimensions in mm and inch

Designation	Mass m ≈ kg	Dimensions				
		d		H	J	L
		mm	inch			
UCP201	0,7	12	–	30,2	95	127
UCP201-08	0,69	12,7	1/2	30,2	95	127
UCP202-09	0,69	14,288	9/16	30,2	95	127
UCP202	0,68	15	–	30,2	95	127
UCP202-10	0,68	15,875	5/8	30,2	95	127
UCP203	0,67	17	–	30,2	95	127
UCP203-11	0,67	17,463	11/16	30,2	95	127
UCP204-12	0,66	19,05	3/4	33,3	95	127
UCP204	0,65	20	–	33,3	95	127
UCP205-13	0,83	20,638	13/16	36,5	105	140
UCP205-14	0,82	22,225	7/8	36,5	105	140
UCP205-15	0,81	23,813	15/16	36,5	105	140
UCP205	0,79	25	–	36,5	105	140
UCP205-16	0,79	25,4	1	36,5	105	140
UCP206-17	1,33	26,988	11/16	42,9	121	165
UCP206-18	1,31	28,575	11/8	42,9	121	165
UCP206	1,29	30	–	42,9	121	165
UCP206-19	1,29	30,163	13/16	42,9	121	165
UCP206-20	1,27	31,75	11/4	42,9	121	165
UCP207-20	1,6	31,75	11/4	47,6	127	167
UCP207-21	1,58	33,338	15/16	47,6	127	167
UCP207-22	1,55	34,925	13/8	47,6	127	167
UCP207	1,55	35	–	47,6	127	167
UCP207-23	1,52	36,513	17/16	47,6	127	167
UCP208-24	1,89	38,1	11/2	49,2	137	184
UCP208-25	1,85	39,688	19/16	49,2	137	184
UCP208	1,84	40	–	49,2	137	184
UCP209-26	2,29	41,275	15/8	54	146	190
UCP209-27	2,25	42,863	111/16	54	146	190
UCP209-28	2,21	44,45	13/4	54	146	190
UCP209	2,2	45	–	54	146	190
UCP210-29	2,89	46,038	113/16	57,2	159	206
UCP210-30	2,85	47,625	17/8	57,2	159	206
UCP210-31	2,8	49,213	115/16	57,2	159	206
UCP210	2,77	50	–	57,2	159	206
UCP210-32	2,75	50,8	2	57,2	159	206



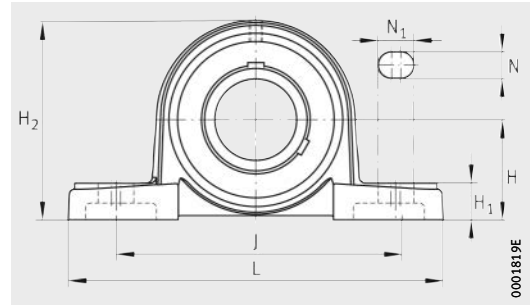
000803B

UCP

A	H ₁	H ₂	N	N ₁	B	S ₁	Housing	Radial insert ball bearing
38	14	62	13	19	31	18,3	P203	UC201
38	14	62	13	19	31	18,3	P203	UC201-08
38	14	62	13	19	31	18,3	P203	UC202-09
38	14	62	13	19	31	18,3	P203	UC202
38	14	62	13	19	31	18,3	P203	UC202-10
38	14	62	13	19	31	18,3	P203	UC203
38	14	62	13	19	31	18,3	P203	UC203-11
38	14	65	13	19	31	18,3	P204	UC204-12
38	14	65	13	19	31	18,3	P204	UC204
38	15	71	13	19	34,1	19,8	P205	UC205-13
38	15	71	13	19	34,1	19,8	P205	UC205-14
38	15	71	13	19	34,1	19,8	P205	UC205-15
38	15	71	13	19	34,1	19,8	P205	UC205
38	15	71	13	19	34,1	19,8	P205	UC205-16
48	17	83	17	21	38,1	22,2	P206	UC206-17
48	17	83	17	21	38,1	22,2	P206	UC206-18
48	17	83	17	21	38,1	22,2	P206	UC206
48	17	83	17	21	38,1	22,2	P206	UC206-19
48	17	83	17	21	38,1	22,2	P206	UC206-20
48	18	93	17	21	42,9	25,4	P207	UC207-20
48	18	93	17	21	42,9	25,4	P207	UC207-21
48	18	93	17	21	42,9	25,4	P207	UC207-22
48	18	93	17	21	42,9	25,4	P207	UC207
48	18	93	17	21	42,9	25,4	P207	UC207-23
54	18	98	17	21	49,2	30,2	P208	UC208-24
54	18	98	17	21	49,2	30,2	P208	UC208-25
54	18	98	17	21	49,2	30,2	P208	UC208
54	20	106	17	21	49,2	30,2	P209	UC209-26
54	20	106	17	21	49,2	30,2	P209	UC209-27
54	20	106	17	21	49,2	30,2	P209	UC209-28
54	20	106	17	21	49,2	30,2	P209	UC209
60	21	114	20	25	51,6	32,6	P210	UC210-29
60	21	114	20	25	51,6	32,6	P210	UC210-30
60	21	114	20	25	51,6	32,6	P210	UC210-31
60	21	114	20	25	51,6	32,6	P210	UC210
60	21	114	20	25	51,6	32,6	P210	UC210-32

Plummer block housing units

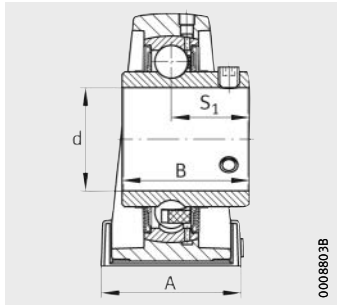
Flake graphite cast iron housing
with long base
With grub screws in inner ring



UCP

Dimension table (continued) - Dimensions in mm and inch

Designation	Mass m ≈ kg	Dimensions				
		d		H	J	L
		mm	inch			
UCP211-32	3,56	50,8	2	63,5	171	219
UCP211-33	3,5	52,388	2 ¹ / ₁₆	63,5	171	219
UCP211-34	3,44	53,975	2 ¹ / ₈	63,5	171	219
UCP211	3,41	55	–	63,5	171	219
UCP211-35	3,39	55,563	2 ³ / ₁₆	63,5	171	219
UCP212-36	4,75	57,15	2 ¹ / ₄	69,8	184	241
UCP212-37	4,68	58,738	2 ⁵ / ₁₆	69,8	184	241
UCP212	4,62	60	–	69,8	184	241
UCP212-38	4,6	60,325	2 ³ / ₈	69,8	184	241
UCP212-39	4,53	61,913	2 ⁷ / ₁₆	69,8	184	241
UCP213-40	5,63	63,5	2 ¹ / ₂	76,2	203	265
UCP213	5,55	65	–	76,2	203	265
UCP213-41	5,55	65,088	2 ⁹ / ₁₆	76,2	203	265
UCP214-42	6,29	66,675	2 ⁵ / ₈	79,4	210	266
UCP214-43	6,2	68,263	2 ¹¹ / ₁₆	79,4	210	266
UCP214-44	6,1	69,85	2 ³ / ₄	79,4	210	266
UCP214	6,1	70	–	79,4	210	266
UCP215-45	6,9	71,438	2 ¹³ / ₁₆	82,6	217	275
UCP215-46	6,81	73,025	2 ⁷ / ₈	82,6	217	275
UCP215-47	6,7	74,613	2 ¹⁵ / ₁₆	82,6	217	275
UCP215	6,67	75	–	82,6	217	275
UCP215-48	6,58	76,2	3	82,6	217	275
UCP216-49	8,53	77,788	3 ¹ / ₁₆	88,9	232	292
UCP216-50	8,4	79,375	3 ¹ / ₈	88,9	232	292
UCP216	8,4	80	–	88,9	232	292
UCP216-51	8,28	80,963	3 ³ / ₁₆	88,9	232	292
UCP217-52	10,3	82,55	3 ¹ / ₄	95,2	247	310
UCP217-53	10,17	84,138	3 ⁵ / ₁₆	95,2	247	310
UCP217	10,1	85	–	95,2	247	310
UCP217-55	9,9	87,313	3 ⁷ / ₁₆	95,2	247	310
UCP218-56	12,3	88,9	3 ¹ / ₂	101,6	262	327
UCP218	12,2	90	–	101,6	262	327



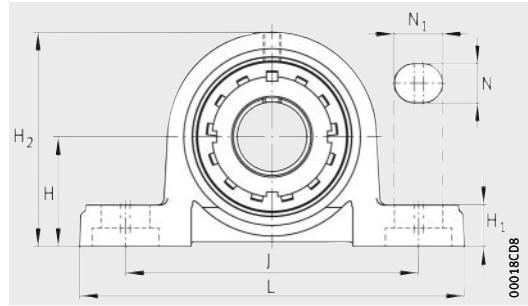
UCP

0008080B

A	H ₁	H ₂	N	N ₁	B	S ₁	Housing	Radial insert ball bearing
60	23	126	20	25	55,6	33,4	P211	UC211-32
60	23	126	20	25	55,6	33,4	P211	UC211-33
60	23	126	20	25	55,6	33,4	P211	UC211-34
60	23	126	20	25	55,6	33,4	P211	UC211
60	23	126	20	25	55,6	33,4	P211	UC211-35
70	25	138	20	25	65,1	39,7	P212	UC212-36
70	25	138	20	25	65,1	39,7	P212	UC212-37
70	25	138	20	25	65,1	39,7	P212	UC212
70	25	138	20	25	65,1	39,7	P212	UC212-38
70	25	138	20	25	65,1	39,7	P212	UC212-39
70	27	151	25	29	65,1	39,7	P213	UC213-40
70	27	151	25	29	65,1	39,7	P213	UC213
70	27	151	25	29	65,1	39,7	P213	UC213-41
72	27	157	25	31	74,6	44,4	P214	UC214-42
72	27	157	25	31	74,6	44,4	P214	UC214-43
72	27	157	25	31	74,6	44,4	P214	UC214-44
72	27	157	25	31	74,6	44,4	P214	UC214
74	28	163	25	31	77,8	44,5	P215	UC215-45
74	28	163	25	31	77,8	44,5	P215	UC215-46
74	28	163	25	31	77,8	44,5	P215	UC215-47
74	28	163	25	31	77,8	44,5	P215	UC215
74	28	163	25	31	77,8	44,5	P215	UC215-48
78	30	175	25	31	82,6	49,3	P216	UC216-49
78	30	175	25	31	82,6	49,3	P216	UC216-50
78	30	175	25	31	82,6	49,3	P216	UC216
78	30	175	25	31	82,6	49,3	P216	UC216-51
83	32	187	25	31	85,7	51,6	P217	UC217-52
83	32	187	25	31	85,7	51,6	P217	UC217-53
83	32	187	25	31	85,7	51,6	P217	UC217
83	32	187	25	31	85,7	51,6	P217	UC217-55
88	33	200	27	33	96	56,3	P218	UC218-56
88	33	200	27	33	96	56,3	P218	UC218

Plummer block housing units

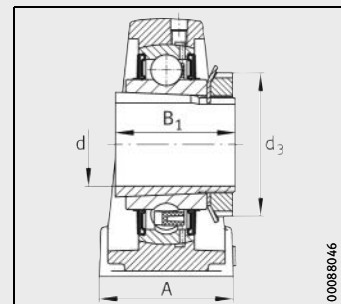
Flake graphite cast iron housing
with long base
With adapter sleeve



UKP

Dimension table · Dimensions in mm

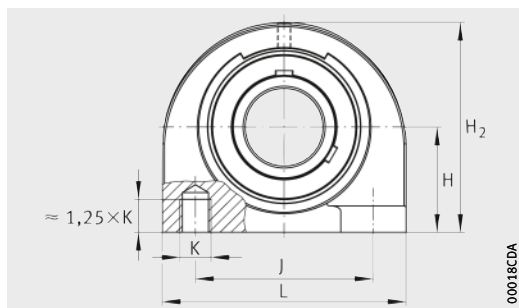
Designation	Mass m ≈ kg	Dimensions											Housing	Radial insert ball bearing
		d	H	J	L	A	H ₁	H ₂	N	N ₁	B ₁	d ₃ max.		
UKP205	0,84	20	36,5	105	140	38	15	71	13	19	35	38	P205	UK205
UKP206	1,36	25	42,9	121	165	48	17	83	17	21	38	45	P206	UK206
UKP207	1,63	30	47,6	127	167	48	18	93	17	21	43	52	P207	UK207
UKP208	1,92	35	49,2	137	184	54	18	98	17	21	46	58	P208	UK208
UKP209	2,33	40	54	146	190	54	20	106	17	21	50	65	P209	UK209
UKP210	2,95	45	57,2	159	206	60	21	114	20	25	55	70	P210	UK210
UKP211	3,58	50	63,5	171	219	60	23	126	20	25	59	75	P211	UK211
UKP212	4,71	55	69,8	184	241	70	25	138	20	25	62	80	P212	UK212
UKP213	5,71	60	76,2	203	265	70	27	151	25	29	65	85	P213	UK213
UKP215	7,11	65	82,6	217	275	74	28	163	25	31	73	98	P215	UK215
UKP216	8,86	70	88,9	232	292	78	30	175	25	31	78	105	P216	UK216
UKP217	10,58	75	95,2	247	310	83	32	187	25	31	82	110	P217	UK217
UKP218	12,71	80	101,6	262	327	88	33	200	27	33	86	120	P218	UK218



UKP

Plummer block housing units

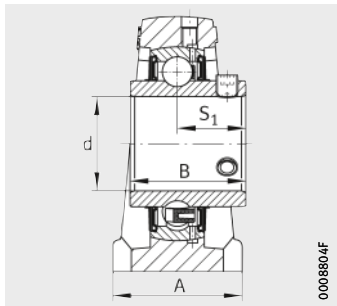
Flake graphite cast iron housing
with short base
With grub screws in inner ring



UCPA

Dimension table · Dimensions in mm and inch

Designation	Mass m ≈ kg	Dimensions				
		d		H	J	L
		mm	inch			
UCPA201	0,65	12	–	30,2	52	76
UCPA201-08	0,65	12,7	1/2	30,2	52	76
UCPA202-09	0,64	14,288	9/16	30,2	52	76
UCPA202	0,64	15	–	30,2	52	76
UCPA202-10	0,63	15,875	5/8	30,2	52	76
UCPA203	0,63	17	–	30,2	52	76
UCPA203-11	0,63	17,463	11/16	30,2	52	76
UCPA204-12	0,62	19,05	3/4	30,2	52	76
UCPA204	0,61	20	–	30,2	52	76
UCPA205-13	0,87	20,638	13/16	36,5	56	84
UCPA205-14	0,86	22,225	7/8	36,5	56	84
UCPA205-15	0,84	23,813	15/16	36,5	56	84
UCPA205	0,83	25	–	36,5	56	84
UCPA205-16	0,83	25,4	1	36,5	56	84
UCPA206-17	1,26	26,988	1 1/16	42,9	66	94
UCPA206-18	1,24	28,575	1 1/8	42,9	66	94
UCPA206	1,22	30	–	42,9	66	94
UCPA206-19	1,22	30,163	1 3/16	42,9	66	94
UCPA206-20	1,2	31,75	1 1/4	42,9	66	94
UCPA207-20	1,75	31,75	1 1/4	47,6	80	110
UCPA207-21	1,73	33,338	1 5/16	47,6	80	110
UCPA207-22	1,7	34,925	1 3/8	47,6	80	110
UCPA207	1,7	35	–	47,6	80	110
UCPA207-23	1,67	36,513	1 7/16	47,6	80	110
UCPA208-24	1,96	38,1	1 1/2	49,2	84	116
UCPA208-25	1,92	39,688	1 9/16	49,2	84	116
UCPA208	1,91	40	–	49,2	84	116
UCPA209-26	2,28	41,275	1 5/8	54,2	90	120
UCPA209-27	2,24	42,863	1 11/16	54,2	90	120
UCPA209-28	2,2	44,45	1 3/4	54,2	90	120
UCPA209	2,19	45	–	54,2	90	120
UCPA210-29	2,9	46,038	1 13/16	57,2	94	130
UCPA210-30	2,85	47,625	1 7/8	57,2	94	130
UCPA210-31	2,8	49,213	1 15/16	57,2	94	130
UCPA210	2,78	50	–	57,2	94	130
UCPA210-32	2,76	50,8	2	57,2	94	130

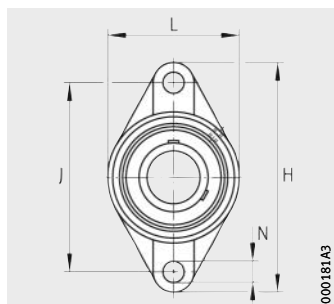


UCPA

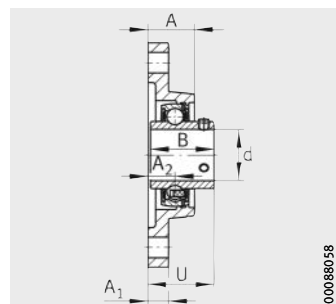
A	H ₂	K	B	S ₁	Housing	Radial insert ball bearing
38	62	M10	31	18,3	PA204	UC201
38	62	M10	31	18,3	PA204	UC201-08
38	62	M10	31	18,3	PA204	UC202-09
38	62	M10	31	18,3	PA204	UC202
38	62	M10	31	18,3	PA204	UC202-10
38	62	M10	31	18,3	PA204	UC203
38	62	M10	31	18,3	PA204	UC203-11
38	62	M10	31	18,3	PA204	UC204-12
38	62	M10	31	18,3	PA204	UC204
38	72	M10	34,1	19,8	PA205	UC205-13
38	72	M10	34,1	19,8	PA205	UC205-14
38	72	M10	34,1	19,8	PA205	UC205-15
38	72	M10	34,1	19,8	PA205	UC205
38	72	M10	34,1	19,8	PA205	UC205-16
48	84	M14	38,1	22,2	PA206	UC206-17
48	84	M14	38,1	22,2	PA206	UC206-18
48	84	M14	38,1	22,2	PA206	UC206
48	84	M14	38,1	22,2	PA206	UC206-19
48	84	M14	38,1	22,2	PA206	UC206-20
48	95	M14	42,9	25,4	PA207	UC207-20
48	95	M14	42,9	25,4	PA207	UC207-21
48	95	M14	42,9	25,4	PA207	UC207-22
48	95	M14	42,9	25,4	PA207	UC207
48	95	M14	42,9	25,4	PA207	UC207-23
54	100	M14	49,2	30,2	PA208	UC208-24
54	100	M14	49,2	30,2	PA208	UC208-25
54	100	M14	49,2	30,2	PA208	UC208
54	108	M14	49,2	30,2	PA209	UC209-26
54	108	M14	49,2	30,2	PA209	UC209-27
54	108	M14	49,2	30,2	PA209	UC209-28
54	108	M14	49,2	30,2	PA209	UC209
60	116	M16	51,6	32,6	PA210	UC210-29
60	116	M16	51,6	32,6	PA210	UC210-30
60	116	M16	51,6	32,6	PA210	UC210-31
60	116	M16	51,6	32,6	PA210	UC210
60	116	M16	51,6	32,6	PA210	UC210-32

Two-bolt flanged housing units

Oval version
With grub screws
in inner ring



UCFL



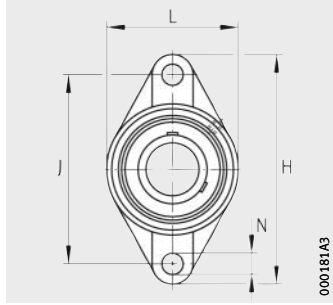
UCFL

Dimension table · Dimensions in mm and inch

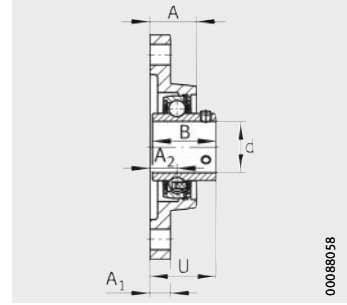
Designation	Mass m ≈ kg	Dimensions										Housing	Radial insert ball bearing	
		d		H	J	L	A	A ₁	A ₂	N	B			U
		mm	inch											
UCFL201	0,47	12	–	113	90	60	25,5	12	15	12	31	33,3	FL204	UC201
UCFL201-08	0,47	12,7	1/2	113	90	60	25,5	12	15	12	31	33,3	FL204	UC201-08
UCFL202-09	0,46	14,288	9/16	113	90	60	25,5	12	15	12	31	33,3	FL204	UC202-09
UCFL202	0,46	15	–	113	90	60	25,5	12	15	12	31	33,3	FL204	UC202
UCFL202-10	0,45	15,875	5/8	113	90	60	25,5	12	15	12	31	33,3	FL204	UC202-10
UCFL203	0,44	17	–	113	90	60	25,5	12	15	12	31	33,3	FL204	UC203
UCFL203-11	0,44	17,463	11/16	113	90	60	25,5	12	15	12	31	33,3	FL204	UC203-11
UCFL204-12	0,43	19,05	3/4	113	90	60	25,5	12	15	12	31	33,3	FL204	UC204-12
UCFL204	0,42	20	–	113	90	60	25,5	12	15	12	31	33,3	FL204	UC204
UCFL205-13	0,68	20,638	13/16	130	99	68	27	15	16	16	34,1	35,8	FL205	UC205-13
UCFL205-14	0,67	22,225	7/8	130	99	68	27	15	16	16	34,1	35,8	FL205	UC205-14
UCFL205-15	0,65	23,813	15/16	130	99	68	27	15	16	16	34,1	35,8	FL205	UC205-15
UCFL205	0,64	25	–	130	99	68	27	15	16	16	34,1	35,8	FL205	UC205
UCFL205-16	0,64	25,4	1	130	99	68	27	15	16	16	34,1	35,8	FL205	UC205-16
UCFL206-17	0,92	26,988	11/16	148	117	80	31	14	18	16	38,1	40,2	FL206	UC206-17
UCFL206-18	0,9	28,575	11/8	148	117	80	31	14	18	16	38,1	40,2	FL206	UC206-18
UCFL206	0,88	30	–	148	117	80	31	14	18	16	38,1	40,2	FL206	UC206
UCFL206-19	0,88	30,163	13/16	148	117	80	31	14	18	16	38,1	40,2	FL206	UC206-19
UCFL206-20	0,85	31,75	11/4	148	117	80	31	14	18	16	38,1	40,2	FL206	UC206-20
UCFL207-20	1,27	31,75	11/4	161	130	90	34	16	19	16	42,9	44,4	FL207	UC207-20
UCFL207-21	1,24	33,338	15/16	161	130	90	34	16	19	16	42,9	44,4	FL207	UC207-21
UCFL207-22	1,21	34,925	13/8	161	130	90	34	16	19	16	42,9	44,4	FL207	UC207-22
UCFL207	1,21	35	–	161	130	90	34	16	19	16	42,9	44,4	FL207	UC207
UCFL207-23	1,18	36,513	17/16	161	130	90	34	16	19	16	42,9	44,4	FL207	UC207-23
UCFL208-24	1,53	38,1	11/2	175	144	100	36	16	21	16	49,2	51,2	FL208	UC208-24
UCFL208-25	1,49	39,688	19/16	175	144	100	36	16	21	16	49,2	51,2	FL208	UC208-25
UCFL208	1,48	40	–	175	144	100	36	16	21	16	49,2	51,2	FL208	UC208
UCFL209-26	2,05	41,275	15/8	188	148	108	38	18	22	19	49,2	52,2	FL209	UC209-26
UCFL209-27	2,01	42,863	111/16	188	148	108	38	18	22	19	49,2	52,2	FL209	UC209-27
UCFL209-28	1,97	44,45	13/4	188	148	108	38	18	22	19	49,2	52,2	FL209	UC209-28
UCFL209	1,95	45	–	188	148	108	38	18	22	19	49,2	52,2	FL209	UC209

Two-bolt flanged housing units

Oval version
With grub screws
in inner ring



UCFL



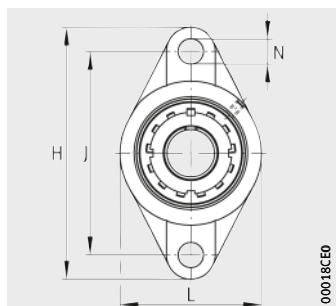
UCFL

Dimension table (continued) · Dimensions in mm and inch

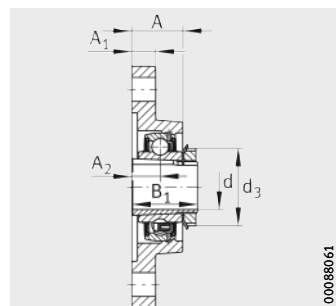
Designation	Mass m ≈ kg	Dimensions										Housing	Radial insert ball bearing	
		d		H	J	L	A	A ₁	A ₂	N	B			U
		mm	inch											
UCFL210-29	2,34	46,038	<i>1¹³/₁₆</i>	197	157	115	40	18	22	19	51,6	54,6	FL210	UC210-29
UCFL210-30	2,3	47,625	<i>1⁷/₈</i>	197	157	115	40	18	22	19	51,6	54,6	FL210	UC210-30
UCFL210-31	2,25	49,213	<i>1¹⁵/₁₆</i>	197	157	115	40	18	22	19	51,6	54,6	FL210	UC210-31
UCFL210	2,23	50	–	197	157	115	40	18	22	19	51,6	54,6	FL210	UC210
UCFL210-32	2,2	50,8	<i>2</i>	197	157	115	40	18	22	19	51,6	54,6	FL210	UC210-32
UCFL211-32	3,02	50,8	<i>2</i>	224	184	130	43	20	25	19	55,6	58,4	FL211	UC211-32
UCFL211-33	2,96	52,388	<i>2¹/₁₆</i>	224	184	130	43	20	25	19	55,6	58,4	FL211	UC211-33
UCFL211-34	2,91	53,975	<i>2¹/₈</i>	224	184	130	43	20	25	19	55,6	58,4	FL211	UC211-34
UCFL211	2,87	55	–	224	184	130	43	20	25	19	55,6	58,4	FL211	UC211
UCFL211-35	2,85	55,563	<i>2³/₁₆</i>	224	184	130	43	20	25	19	55,6	58,4	FL211	UC211-35
UCFL212-36	4,1	57,15	<i>2¹/₄</i>	250	202	140	48	20	29	23	65,1	68,7	FL212	UC212-36
UCFL212-37	4,02	58,738	<i>2⁵/₁₆</i>	250	202	140	48	20	29	23	65,1	68,7	FL212	UC212-37
UCFL212	3,96	60	–	250	202	140	48	20	29	23	65,1	68,7	FL212	UC212
UCFL212-38	3,95	60,325	<i>2³/₈</i>	250	202	140	48	20	29	23	65,1	68,7	FL212	UC212-38
UCFL212-39	3,87	61,913	<i>2⁷/₁₆</i>	250	202	140	48	20	29	23	65,1	68,7	FL212	UC212-39
UCFL213-40	4,78	63,5	<i>2¹/₂</i>	258	210	155	50	24	30	23	65,1	69,7	FL213	UC213-40
UCFL213	4,69	65	–	258	210	155	50	24	30	23	65,1	69,7	FL213	UC213
UCFL213-41	4,68	65,088	<i>2⁹/₁₆</i>	258	210	155	50	24	30	23	65,1	69,7	FL213	UC213-41
UCFL214-42	5,45	66,675	<i>2⁵/₈</i>	265	216	160	54	24	31	23	74,6	75,4	FL214	UC214-42
UCFL214-43	5,35	68,263	<i>2¹¹/₁₆</i>	265	216	160	54	24	31	23	74,6	75,4	FL214	UC214-43
UCFL214-44	5,25	69,85	<i>2³/₄</i>	265	216	160	54	24	31	23	74,6	75,4	FL214	UC214-44
UCFL214	5,25	70	–	265	216	160	54	24	31	23	74,6	75,4	FL214	UC214
UCFL215-45	5,94	71,438	<i>2¹³/₁₆</i>	275	225	165	56	24	34	23	77,8	78,5	FL215	UC215-45
UCFL215-46	5,82	73,025	<i>2⁷/₈</i>	275	225	165	56	24	34	23	77,8	78,5	FL215	UC215-46
UCFL215-47	5,72	74,613	<i>2¹⁵/₁₆</i>	275	225	165	56	24	34	23	77,8	78,5	FL215	UC215-47
UCFL215	5,69	75	–	275	225	165	56	24	34	23	77,8	78,5	FL215	UC215
UCFL215-48	5,61	76,2	<i>3</i>	275	225	165	56	24	34	23	77,8	78,5	FL215	UC215-48
UCFL216-49	7,41	77,788	<i>3¹/₁₆</i>	290	233	180	58	24	34	25	82,6	83,3	FL216	UC216-49
UCFL216-50	7,29	79,375	<i>3¹/₈</i>	290	233	180	58	24	34	25	82,6	83,3	FL216	UC216-50
UCFL216	7,24	80	–	290	233	180	58	24	34	25	82,6	83,3	FL216	UC216
UCFL216-51	7,16	80,963	<i>3³/₁₆</i>	290	233	180	58	24	34	25	82,6	83,3	FL216	UC216-51
UCFL217-52	9,01	82,55	<i>3¹/₄</i>	305	248	190	63	26	36	25	85,7	87,6	FL217	UC217-52
UCFL217-53	8,85	84,138	<i>3⁵/₁₆</i>	305	248	190	63	26	36	25	85,7	87,6	FL217	UC217-53
UCFL217	8,77	85	–	305	248	190	63	26	36	25	85,7	87,6	FL217	UC217
UCFL217-55	8,54	87,313	<i>3⁷/₁₆</i>	305	248	190	63	26	36	25	85,7	87,6	FL217	UC217-55
UCFL218-56	10,51	88,9	<i>3¹/₂</i>	320	265	205	68	26	40	25	96	96,3	FL218	UC218-56
UCFL218	10,4	90	–	320	265	205	68	26	40	25	96	96,3	FL218	UC218

Two-bolt flanged housing units

Oval version
With adapter sleeve



UKFL



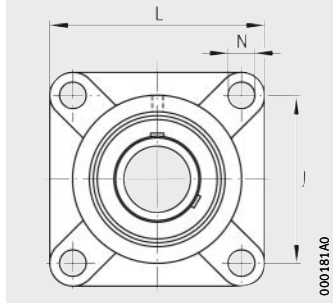
UKFL

Dimension table · Dimensions in mm

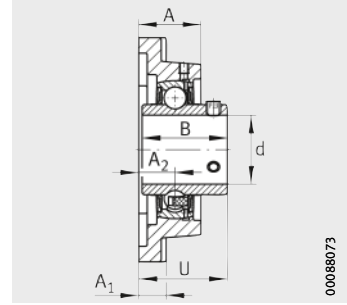
Designation	Mass m ≈ kg	Dimensions										Housing	Radial insert ball bearing
		d	H	J	L	A	A ₁	A ₂	N	B ₁	d ₃ max.		
UKFL205	0,69	20	130	99	68	27	15	16	16	35	38	FL205	UK205
UKFL206	0,94	25	148	117	80	31	14	18	16	38	45	FL206	UK206
UKFL207	1,29	30	161	130	90	34	16	19	16	43	52	FL207	UK207
UKFL208	1,56	35	175	144	100	36	16	21	16	46	58	FL208	UK208
UKFL209	2,08	40	188	148	108	38	18	22	19	50	65	FL209	UK209
UKFL210	2,4	45	197	157	115	40	18	22	19	55	70	FL210	UK210
UKFL211	3,04	50	224	184	130	43	20	25	19	59	75	FL211	UK211
UKFL212	4,05	55	250	202	140	48	20	29	23	62	80	FL212	UK212
UKFL213	4,84	60	258	210	155	50	24	30	23	65	85	FL213	UK213
UKFL215	6,14	65	275	225	165	56	24	34	23	73	98	FL215	UK215
UKFL216	7,74	70	290	233	180	58	24	34	25	78	105	FL216	UK216
UKFL217	9,02	75	305	248	190	63	26	36	25	82	110	FL217	UK217
UKFL218	10,91	80	320	265	205	68	26	40	25	86	120	FL218	UK218

Four-bolt flanged housing units

Square version
With grub screws
in inner ring



UCF



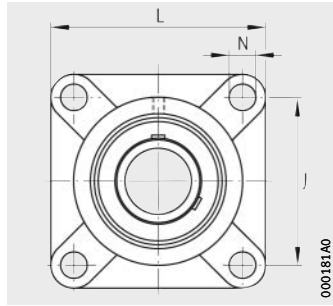
UCF

Dimension table - Dimensions in mm and inch

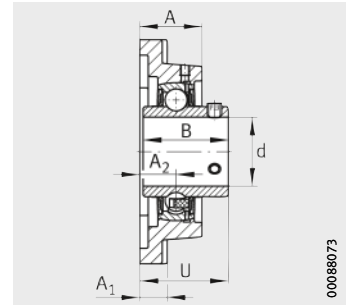
Designation	Mass m ≈ kg	Dimensions										Housing	Radial insert ball bearing
		d		J	L	A	A ₁	A ₂	N	B	U		
		mm	inch										
UCF201	0,62	12	–	64	86	25,5	12	15	12	31	33,3	F204	UC201
UCF201-08	0,62	12,7	1/2	64	86	25,5	12	15	12	31	33,3	F204	UC201-08
UCF202-09	0,61	14,288	9/16	64	86	25,5	12	15	12	31	33,3	F204	UC202-09
UCF202	0,6	15	–	64	86	25,5	12	15	12	31	33,3	F204	UC202
UCF202-10	0,6	15,875	5/8	64	86	25,5	12	15	12	31	33,3	F204	UC202-10
UCF203	0,59	17	–	64	86	25,5	12	15	12	31	33,3	F204	UC203
UCF203-11	0,59	17,463	11/16	64	86	25,5	12	15	12	31	33,3	F204	UC203-11
UCF204-12	0,58	19,05	3/4	64	86	25,5	12	15	12	31	33,3	F204	UC204-12
UCF204	0,57	20	–	64	86	25,5	12	15	12	31	33,3	F204	UC204
UCF205-13	0,89	20,638	13/16	70	95	27	14	16	12	34,1	35,8	F205	UC205-13
UCF205-14	0,87	22,225	7/8	70	95	27	14	16	12	34,1	35,8	F205	UC205-14
UCF205-15	0,86	23,813	15/16	70	95	27	14	16	12	34,1	35,8	F205	UC205-15
UCF205	0,85	25	–	70	95	27	14	16	12	34,1	35,8	F205	UC205
UCF205-16	0,84	25,4	1	70	95	27	14	16	12	34,1	35,8	F205	UC205-16
UCF206-17	1,15	26,988	11/16	83	108	31	14	18	12	38,1	40,2	F206	UC206-17
UCF206-18	1,13	28,575	11/8	83	108	31	14	18	12	38,1	40,2	F206	UC206-18
UCF206	1,11	30	–	83	108	31	14	18	12	38,1	40,2	F206	UC206
UCF206-19	1,11	30,163	13/16	83	108	31	14	18	12	38,1	40,2	F206	UC206-19
UCF206-20	1,09	31,75	11/4	83	108	31	14	18	12	38,1	40,2	F206	UC206-20
UCF207-20	1,55	31,75	11/4	92	117	34	16	19	14	42,9	44,4	F207	UC207-20
UCF207-21	1,53	33,338	15/16	92	117	34	16	19	14	42,9	44,4	F207	UC207-21
UCF207-22	1,5	34,925	13/8	92	117	34	16	19	14	42,9	44,4	F207	UC207-22
UCF207	1,5	35	–	92	117	34	16	19	14	42,9	44,4	F207	UC207
UCF207-23	1,47	36,513	17/16	92	117	34	16	19	14	42,9	44,4	F207	UC207-23
UCF208-24	1,95	38,1	11/2	102	130	36	16	21	16	49,2	51,2	F208	UC208-24
UCF208-25	1,92	39,688	19/16	102	130	36	16	21	16	49,2	51,2	F208	UC208-25
UCF208	1,91	40	–	102	130	36	16	21	16	49,2	51,2	F208	UC208
UCF209-26	2,4	41,275	15/8	105	137	38	18	22	16	49,2	52,2	F209	UC209-26
UCF209-27	2,36	42,863	111/16	105	137	38	18	22	16	49,2	52,2	F209	UC209-27
UCF209-28	2,32	44,45	13/4	105	137	38	18	22	16	49,2	52,2	F209	UC209-28
UCF209	2,3	45	–	105	137	38	18	22	16	49,2	52,2	F209	UC209
UCF210-29	2,67	46,038	113/16	111	143	40	18	22	16	51,6	54,6	F210	UC210-29
UCF210-30	2,63	47,625	17/8	111	143	40	18	22	16	51,6	54,6	F210	UC210-30
UCF210-31	2,58	49,213	115/16	111	143	40	18	22	16	51,6	54,6	F210	UC210-31
UCF210	2,56	50	–	111	143	40	18	22	16	51,6	54,6	F210	UC210
UCF210-32	2,53	50,8	2	111	143	40	18	22	16	51,6	54,6	F210	UC210-32

Four-bolt flanged housing units

Square version
With grub screws
in inner ring



UCF



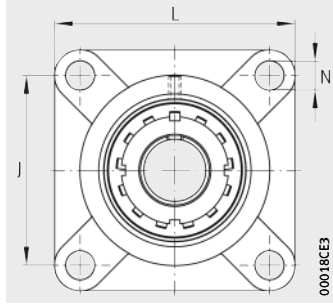
UCF

Dimension table (continued) - Dimensions in mm and inch

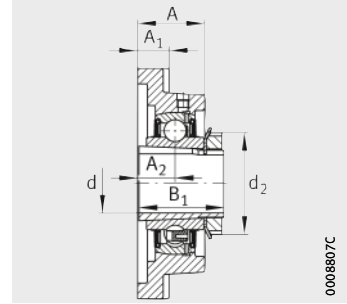
Designation	Mass m ≈ kg	Dimensions										Housing	Radial insert ball bearing
		d		J	L	A	A ₁	A ₂	N	B	U		
		mm	inch										
UCF211-32	3,46	50,8	2	130	163	43	20	25	19	55,6	58,4	F211	UC211-32
UCF211-33	3,4	52,388	2¹/₁₆	130	163	43	20	25	19	55,6	58,4	F211	UC211-33
UCF211-34	3,35	53,975	2¹/₈	130	163	43	20	25	19	55,6	58,4	F211	UC211-34
UCF211	3,31	55	–	130	163	43	20	25	19	55,6	58,4	F211	UC211
UCF211-35	3,29	55,563	2³/₁₆	130	163	43	20	25	19	55,6	58,4	F211	UC211-35
UCF212-36	4,38	57,15	2¹/₄	143	175	48	20	29	19	65,1	68,7	F212	UC212-36
UCF212-37	4,31	58,738	2⁵/₁₆	143	175	48	20	29	19	65,1	68,7	F212	UC212-37
UCF212	4,25	60	–	143	175	48	20	29	19	65,1	68,7	F212	UC212
UCF212-38	4,23	60,325	2³/₈	143	175	48	20	29	19	65,1	68,7	F212	UC212-38
UCF212-39	4,15	61,913	2⁷/₁₆	143	175	48	20	29	19	65,1	68,7	F212	UC212-39
UCF213-40	4,98	63,5	2¹/₂	149	187	50	20	30	19	65,1	69,7	F213	UC213-40
UCF213	4,9	65	–	149	187	50	20	30	19	65,1	69,7	F213	UC213
UCF213-41	4,9	65,088	2⁹/₁₆	149	187	50	20	30	19	65,1	69,7	F213	UC213-41
UCF214-42	6,19	66,675	2⁵/₈	152	193	54	24	31	19	74,6	75,4	F214	UC214-42
UCF214-43	6,09	68,263	2¹¹/₁₆	152	193	54	24	31	19	74,6	75,4	F214	UC214-43
UCF214-44	5,99	69,85	2³/₄	152	193	54	24	31	19	74,6	75,4	F214	UC214-44
UCF214	5,99	70	–	152	193	54	24	31	19	74,6	75,4	F214	UC214
UCF215-45	6,9	71,438	2¹³/₁₆	159	200	56	24	34	19	77,8	78,5	F215	UC215-45
UCF215-46	6,8	73,025	2⁷/₈	159	200	56	24	34	19	77,8	78,5	F215	UC215-46
UCF215-47	6,7	74,613	2¹⁵/₁₆	159	200	56	24	34	19	77,8	78,5	F215	UC215-47
UCF215	6,7	75	–	159	200	56	24	34	19	77,8	78,5	F215	UC215
UCF215-48	6,6	76,2	3	159	200	56	24	34	19	77,8	78,5	F215	UC215-48
UCF216-49	7,6	77,788	3¹/₁₆	165	208	58	24	34	23	82,6	83,3	F216	UC216-49
UCF216-50	7,5	79,375	3¹/₈	165	208	58	24	34	23	82,6	83,3	F216	UC216-50
UCF216	7,4	80	–	165	208	58	24	34	23	82,6	83,3	F216	UC216
UCF216-51	7,3	80,963	3³/₁₆	165	208	58	24	34	23	82,6	83,3	F216	UC216-51
UCF217-52	9,3	82,55	3¹/₄	175	220	63	26	36	23	85,7	87,6	F217	UC217-52
UCF217-53	9,1	84,138	3⁵/₁₆	175	220	63	26	36	23	85,7	87,6	F217	UC217-53
UCF217	9,1	85	–	175	220	63	26	36	23	85,7	87,6	F217	UC217
UCF217-55	8,8	87,313	3⁷/₁₆	175	220	63	26	36	23	85,7	87,6	F217	UC217-55
UCF218-56	10,8	88,9	3¹/₂	187	235	68	26	40	23	96	96,3	F218	UC218-56
UCF218	10,7	90	–	187	235	68	26	40	23	96	96,3	F218	UC218

Four-bolt flanged housing units

Square version
With adapter sleeve



UKF



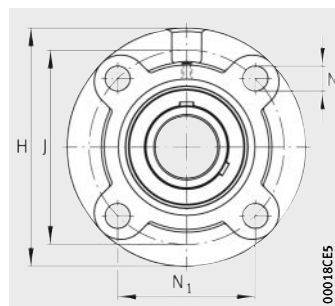
UKF

Dimension table - Dimensions in mm

Designation	Mass m ≈ kg	Dimensions									Housing	Radial insert ball bearing
		d	J	L	A	A ₁	A ₂	N	B ₁	d ₂ max.		
UKF205	0,9	20	70	95	27	14	16	12	35	38	F205	UK205
UKF206	1,18	25	83	108	31	14	18	12	38	45	F206	UK206
UKF207	1,58	30	92	117	34	16	19	14	43	52	F207	UK207
UKF208	1,99	35	102	130	36	16	21	16	46	58	F208	UK208
UKF209	2,44	40	105	137	38	18	22	16	50	65	F209	UK209
UKF210	2,73	45	111	143	40	18	22	16	55	70	F210	UK210
UKF211	3,48	50	130	163	43	20	25	19	59	75	F211	UK211
UKF212	4,34	55	143	175	48	20	29	19	62	80	F212	UK212
UKF213	5,06	60	149	187	50	20	30	19	65	85	F213	UK213
UKF215	7,13	65	159	200	56	24	34	19	73	98	F215	UK215
UKF216	7,9	70	165	208	58	24	34	23	78	105	F216	UK216
UKF217	9,55	75	175	220	63	26	36	23	82	110	F217	UK217
UKF218	11,16	80	187	235	68	26	40	23	86	120	F218	UK218

Four-bolt flanged housing units

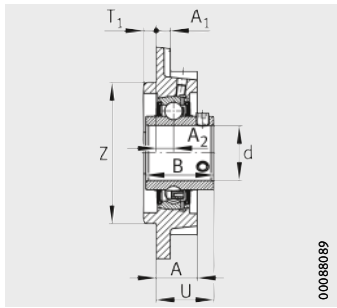
Round version
With grub screws
in inner ring



UCFC

Dimension table · Dimensions in mm and inch

Designation	Mass m ≈ kg	Dimensions				
		d		H	J	A
		mm	inch			
UCFC201	0,77	12	–	100	78	20,5
UCFC201-08	0,77	12,7	1/2	100	78	20,5
UCFC202-09	0,76	14,288	9/16	100	78	20,5
UCFC202	0,76	15	–	100	78	20,5
UCFC202-10	0,75	15,875	5/8	100	78	20,5
UCFC203	0,74	17	–	100	78	20,5
UCFC203-11	0,74	17,463	11/16	100	78	20,5
UCFC204-12	0,73	19,05	3/4	100	78	20,5
UCFC204	0,72	20	–	100	78	20,5
UCFC205-13	0,98	20,638	13/16	115	90	21
UCFC205-14	0,97	22,225	7/8	115	90	21
UCFC205-15	0,95	23,813	15/16	115	90	21
UCFC205	0,94	25	–	115	90	21
UCFC205-16	0,94	25,4	1	115	90	21
UCFC206-17	1,29	26,988	11/16	125	100	23
UCFC206-18	1,27	28,575	11/8	125	100	23
UCFC206	1,25	30	–	125	100	23
UCFC206-19	1,25	30,163	13/16	125	100	23
UCFC206-20	1,23	31,75	11/4	125	100	23
UCFC207-20	1,76	31,75	11/4	135	110	26
UCFC207-21	1,73	33,338	15/16	135	110	26
UCFC207-22	1,7	34,925	13/8	135	110	26
UCFC207	1,7	35	–	135	110	26
UCFC207-23	1,67	36,513	17/16	135	110	26
UCFC208-24	2,08	38,1	11/2	145	120	26
UCFC208-25	2,04	39,688	19/16	145	120	26
UCFC208	2,03	40	–	145	120	26
UCFC209-26	2,78	41,275	15/8	160	132	26
UCFC209-27	2,74	42,863	111/16	160	132	26
UCFC209-28	2,7	44,45	13/4	160	132	26
UCFC209	2,69	45	–	160	132	26
UCFC210-29	3,08	46,038	113/16	165	138	28
UCFC210-30	3,03	47,625	17/8	165	138	28
UCFC210-31	2,98	49,213	115/16	165	138	28
UCFC210	2,96	50	–	165	138	28
UCFC210-32	2,94	50,8	2	165	138	28

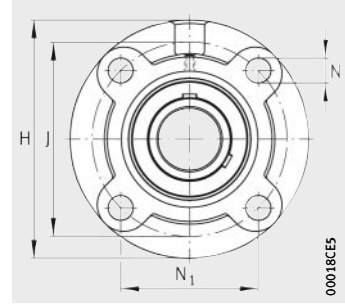


UCFC

A ₁	A ₂	N	N ₁	B	T ₁	U	Z	Housing	Radial insert ball bearing
								h8	
8	10	12	55,1	31	5	28,3	62	FC204	UC201
8	10	12	55,1	31	5	28,3	62	FC204	UC201-08
8	10	12	55,1	31	5	28,3	62	FC204	UC202-09
8	10	12	55,1	31	5	28,3	62	FC204	UC202
8	10	12	55,1	31	5	28,3	62	FC204	UC202-10
8	10	12	55,1	31	5	28,3	62	FC204	UC203
8	10	12	55,1	31	5	28,3	62	FC204	UC203-11
8	10	12	55,1	31	5	28,3	62	FC204	UC204-12
8	10	12	55,1	31	5	28,3	62	FC204	UC204
7	10	12	63,6	34,1	6	29,8	70	FC205	UC205-13
7	10	12	63,6	34,1	6	29,8	70	FC205	UC205-14
7	10	12	63,6	34,1	6	29,8	70	FC205	UC205-15
7	10	12	63,6	34,1	6	29,8	70	FC205	UC205
7	10	12	63,6	34,1	6	29,8	70	FC205	UC205-16
8	10	12	70,7	38,1	8	32,2	80	FC206	UC206-17
8	10	12	70,7	38,1	8	32,2	80	FC206	UC206-18
8	10	12	70,7	38,1	8	32,2	80	FC206	UC206
8	10	12	70,7	38,1	8	32,2	80	FC206	UC206-19
8	10	12	70,7	38,1	8	32,2	80	FC206	UC206-20
9	11	14	77,8	42,9	8	36,4	90	FC207	UC207-20
9	11	14	77,8	42,9	8	36,4	90	FC207	UC207-21
9	11	14	77,8	42,9	8	36,4	90	FC207	UC207-22
9	11	14	77,8	42,9	8	36,4	90	FC207	UC207
9	11	14	77,8	42,9	8	36,4	90	FC207	UC207-23
9	11	14	84,8	49,2	10	41,2	100	FC208	UC208-24
9	11	14	84,8	49,2	10	41,2	100	FC208	UC208-25
9	11	14	84,8	49,2	10	41,2	100	FC208	UC208
14	10	16	93,3	49,2	12	40,2	105	FC209	UC209-26
14	10	16	93,3	49,2	12	40,2	105	FC209	UC209-27
14	10	16	93,3	49,2	12	40,2	105	FC209	UC209-28
14	10	16	93,3	49,2	12	40,2	105	FC209	UC209
14	10	16	97,6	51,6	12	42,6	110	FC210	UC210-29
14	10	16	97,6	51,6	12	42,6	110	FC210	UC210-30
14	10	16	97,6	51,6	12	42,6	110	FC210	UC210-31
14	10	16	97,6	51,6	12	42,6	110	FC210	UC210
14	10	16	97,6	51,6	12	42,6	110	FC210	UC210-32

Four-bolt flanged housing units

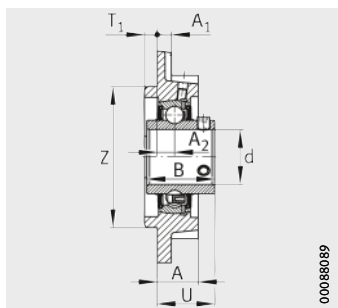
Round version
With grub screws
in inner ring



UCFC

Dimension table (continued) - Dimensions in mm and inch

Designation	Mass m ≈ kg	Dimensions				
		d		H	J	A
		mm	inch			
UCFC211-32	4,13	50,8	2	185	150	31
UCFC211-33	4,07	52,388	2 ^{1/16}	185	150	31
UCFC211-34	4,02	53,975	2 ^{1/8}	185	150	31
UCFC211	3,98	55	-	185	150	31
UCFC211-35	3,96	55,563	2 ^{3/16}	185	150	31
UCFC212-36	5	57,15	2 ^{1/4}	195	160	36
UCFC212-37	4,92	58,738	2 ^{5/16}	195	160	36
UCFC212	4,86	60	-	195	160	36
UCFC212-38	4,85	60,325	2 ^{3/8}	195	160	36
UCFC212-39	4,77	61,913	2 ^{7/16}	195	160	36
UCFC213-40	5,55	63,5	2 ^{1/2}	205	170	36
UCFC213	5,47	65	-	205	170	36
UCFC213-41	5,44	65,088	2 ^{9/16}	205	170	36
UCFC214-42	6,84	66,675	2 ^{5/8}	215	177	40
UCFC214-43	6,74	68,263	2 ^{11/16}	215	177	40
UCFC214-44	6,64	69,85	2 ^{3/4}	215	177	40
UCFC214	6,63	70	-	215	177	40
UCFC215-45	7,47	71,438	2 ^{13/16}	220	184	40
UCFC215-46	7,36	73,025	2 ^{7/8}	220	184	40
UCFC215-47	7,25	74,613	2 ^{15/16}	220	184	40
UCFC215	7,22	75	-	220	184	40
UCFC215-48	7,13	76,2	3	220	184	40
UCFC216-49	8,95	77,788	3 ^{1/16}	240	200	42
UCFC216-50	8,82	79,375	3 ^{1/8}	240	200	42
UCFC216	8,8	80	-	240	200	42
UCFC216-51	8,69	80,963	3 ^{3/16}	240	200	42
UCFC217-52	10,59	82,55	3 ^{1/4}	250	208	45
UCFC217-53	10,46	84,138	3 ^{5/16}	250	208	45
UCFC217	10,38	85	-	250	208	45
UCFC217-55	10,17	87,313	3 ^{7/16}	250	208	45
UCFC218-56	12,33	88,9	3 ^{1/2}	265	220	50
UCFC218	12,21	90	-	265	220	50



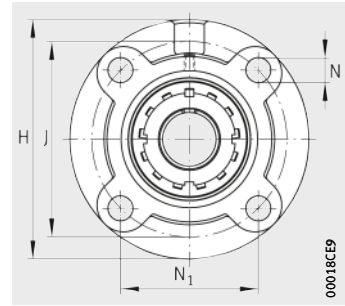
UCFC

00088089

A ₁	A ₂	N	N ₁	B	T ₁	U	Z	Housing	Radial insert ball bearing
								h8	
15	13	19	106,1	55,6	12	46,4	125	FC211	UC211-32
15	13	19	106,1	55,6	12	46,4	125	FC211	UC211-33
15	13	19	106,1	55,6	12	46,4	125	FC211	UC211-34
15	13	19	106,1	55,6	12	46,4	125	FC211	UC211
15	13	19	106,1	55,6	12	46,4	125	FC211	UC211-35
15	17	19	113,1	65,1	12	56,7	135	FC212	UC212-36
15	17	19	113,1	65,1	12	56,7	135	FC212	UC212-37
15	17	19	113,1	65,1	12	56,7	135	FC212	UC212
15	17	19	113,1	65,1	12	56,7	135	FC212	UC212-38
15	17	19	113,1	65,1	12	56,7	135	FC212	UC212-39
15	16	19	120,2	65,1	14	55,7	145	FC213	UC213-40
15	16	19	120,2	65,1	14	55,7	145	FC213	UC213
15	16	19	120,2	65,1	14	55,7	145	FC213	UC213-41
18	17	19	125,15	74,6	14	61,4	150	FC214	UC214-42
18	17	19	125,15	74,6	14	61,4	150	FC214	UC214-43
18	17	19	125,15	74,6	14	61,4	150	FC214	UC214-44
18	17	19	125,15	74,6	14	61,4	150	FC214	UC214
18	18	19	130,1	77,8	16	62,5	160	FC215	UC215-45
18	18	19	130,1	77,8	16	62,5	160	FC215	UC215-46
18	18	19	130,1	77,8	16	62,5	160	FC215	UC215-47
18	18	19	130,1	77,8	16	62,5	160	FC215	UC215
18	18	19	130,1	77,8	16	62,5	160	FC215	UC215-48
18	18	23	141,4	82,6	16	67,3	170	FC216	UC216-49
18	18	23	141,4	82,6	16	67,3	170	FC216	UC216-50
18	18	23	141,4	82,6	16	67,3	170	FC216	UC216
18	18	23	141,4	82,6	16	67,3	170	FC216	UC216-51
20	18	23	147,1	85,7	18	69,6	180	FC217	UC217-52
20	18	23	147,1	85,7	18	69,6	180	FC217	UC217-53
20	18	23	147,1	85,7	18	69,6	180	FC217	UC217
20	18	23	147,1	85,7	18	69,6	180	FC217	UC217-55
20	22	23	155,55	96	18	78,3	190	FC218	UC218-56
20	22	23	155,55	96	18	78,3	190	FC218	UC218

Four-bolt flanged housing units

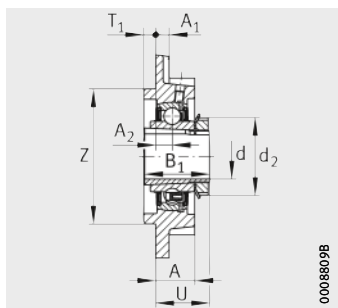
Round version
With adapter sleeve



UKFC

Dimension table · Dimensions in mm

Designation	Mass m ≈ kg	Dimensions					
		d	H	J	A	A ₁	A ₂
UKFC205	0,99	20	115	90	21	7	10
UKFC206	1,31	25	125	100	23	8	10
UKFC207	1,78	30	135	110	26	9	11
UKFC208	2,12	35	145	120	26	9	11
UKFC209	2,82	40	160	132	26	14	10
UKFC210	3,14	45	165	138	28	14	10
UKFC211	4,15	50	185	150	31	15	13
UKFC212	4,95	55	195	160	36	15	17
UKFC213	5,62	60	205	170	36	15	16
UKFC215	7,7	65	220	184	40	18	18
UKFC216	9,33	70	240	200	42	18	18
UKFC217	10,87	75	250	208	45	20	18
UKFC218	12,76	80	265	220	50	20	22

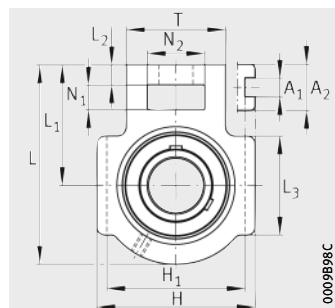


UKFC

N	N ₁	B ₁	T ₁	U	Z h8	d ₂ max.	Housing	Radial insert ball bearing
12	70,7	38	8	32,2	80	45	FC206	UK206
14	77,8	43	8	35,7	90	52	FC207	UK207
14	84,8	46	10	37,7	100	58	FC208	UK208
16	93,3	50	12	38,2	105	65	FC209	UK209
16	97,6	55	12	40,2	110	70	FC210	UK210
19	106,1	59	12	44,2	125	75	FC211	UK211
19	113,1	62	12	51,2	135	80	FC212	UK212
19	120,2	65	14	51,2	145	85	FC213	UK213
19	130,1	73	16	55	160	98	FC215	UK215
23	141,4	78	16	58,2	170	105	FC216	UK216
23	147,1	82	18	60,2	180	110	FC217	UK217
23	155,55	86	18	65,7	190	120	FC218	UK218

Take-up housing units

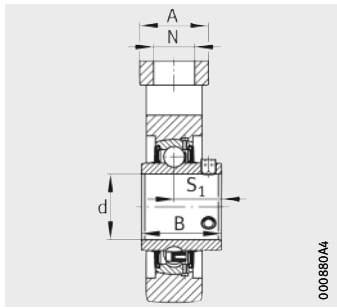
For linear motion
With grub screws
in inner ring



UCT

Dimension table · Dimensions in mm and inch

Designation	Mass m ≈ kg	Dimensions		H	L	L ₁	L ₂	L ₃	A
		d mm	inch						
UCT201	0,77	12	–	89	94	61	10	51	32
UCT201-08	0,77	12,7	1/2	89	94	61	10	51	32
UCT202-09	0,76	14,288	9/16	89	94	61	10	51	32
UCT202	0,75	15	–	89	94	61	10	51	32
UCT202-10	0,75	15,875	5/8	89	94	61	10	51	32
UCT203	0,74	17	–	89	94	61	10	51	32
UCT203-11	0,74	17,463	11/16	89	94	61	10	51	32
UCT204-12	0,73	19,05	3/4	89	94	61	10	51	32
UCT204	0,72	20	–	89	94	61	10	51	32
UCT205-13	0,84	20,638	13/16	89	97	62	10	51	32
UCT205-14	0,83	22,225	7/8	89	97	62	10	51	32
UCT205-15	0,81	23,813	15/16	89	97	62	10	51	32
UCT205	0,8	25	–	89	97	62	10	51	32
UCT205-16	0,8	25,4	1	89	97	62	10	51	32
UCT206-17	1,27	26,988	11/16	102	113	70	10	57	37
UCT206-18	1,25	28,575	11/8	102	113	70	10	57	37
UCT206	1,23	30	–	102	113	70	10	57	37
UCT206-19	1,23	30,163	13/16	102	113	70	10	57	37
UCT206-20	1,2	31,75	11/4	102	113	70	10	57	37
UCT207-20	1,64	31,75	11/4	102	129	78	13	64	37
UCT207-21	1,61	33,338	15/16	102	129	78	13	64	37
UCT207-22	1,58	34,925	13/8	102	129	78	13	64	37
UCT207	1,58	35	–	102	129	78	13	64	37
UCT207-23	1,55	36,513	17/16	102	129	78	13	64	37
UCT208-24	2,36	38,1	11/2	114	144	88	16	83	49
UCT208-25	2,33	39,688	19/16	114	144	88	16	83	49
UCT208	2,32	40	–	114	144	88	16	83	49
UCT209-26	2,46	41,275	15/8	117	144	87	16	83	49
UCT209-27	2,42	42,863	111/16	117	144	87	16	83	49
UCT209-28	2,38	44,45	13/4	117	144	87	16	83	49
UCT209	2,37	45	–	117	144	87	16	83	49
UCT210-29	2,64	46,038	113/16	117	149	90	16	86	49
UCT210-30	2,59	47,625	17/8	117	149	90	16	86	49
UCT210-31	2,54	49,213	115/16	117	149	90	16	86	49
UCT210	2,52	50	–	117	149	90	16	86	49
UCT210-32	2,5	50,8	2	117	149	90	16	86	49

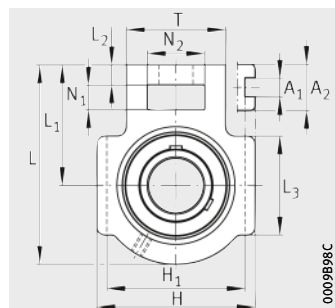


UCT

A_1 +0,2/0	A_2	H_1 0/-0,5	N	N_1	N_2	B	S_1	T	Housing	Radial insert ball bearing
12	21	76	19	16	32	31	18,3	51	T204	UC201
12	21	76	19	16	32	31	18,3	51	T204	UC201-08
12	21	76	19	16	32	31	18,3	51	T204	UC202-09
12	21	76	19	16	32	31	18,3	51	T204	UC202
12	21	76	19	16	32	31	18,3	51	T204	UC202-10
12	21	76	19	16	32	31	18,3	51	T204	UC203
12	21	76	19	16	32	31	18,3	51	T204	UC203-11
12	21	76	19	16	32	31	18,3	51	T204	UC204-12
12	21	76	19	16	32	31	18,3	51	T204	UC204
12	24	76	19	16	32	34,1	19,8	51	T205	UC205-13
12	24	76	19	16	32	34,1	19,8	51	T205	UC205-14
12	24	76	19	16	32	34,1	19,8	51	T205	UC205-15
12	24	76	19	16	32	34,1	19,8	51	T205	UC205
12	24	76	19	16	32	34,1	19,8	51	T205	UC205-16
12	28	89	22	16	37	38,1	22,2	56	T206	UC206-17
12	28	89	22	16	37	38,1	22,2	56	T206	UC206-18
12	28	89	22	16	37	38,1	22,2	56	T206	UC206
12	28	89	22	16	37	38,1	22,2	56	T206	UC206-19
12	28	89	22	16	37	38,1	22,2	56	T206	UC206-20
12	30	89	22	16	37	42,9	25,4	64	T207	UC207-20
12	30	89	22	16	37	42,9	25,4	64	T207	UC207-21
12	30	89	22	16	37	42,9	25,4	64	T207	UC207-22
12	30	89	22	16	37	42,9	25,4	64	T207	UC207
12	30	89	22	16	37	42,9	25,4	64	T207	UC207-23
16	33	102	29	19	49	49,2	30,2	83	T208	UC208-24
16	33	102	29	19	49	49,2	30,2	83	T208	UC208-25
16	33	102	29	19	49	49,2	30,2	83	T208	UC208
16	35	102	29	19	49	49,2	30,2	83	T209	UC209-26
16	35	102	29	19	49	49,2	30,2	83	T209	UC209-27
16	35	102	29	19	49	49,2	30,2	83	T209	UC209-28
16	35	102	29	19	49	49,2	30,2	83	T209	UC209
16	37	102	29	19	49	51,6	32,6	83	T210	UC210-29
16	37	102	29	19	49	51,6	32,6	83	T210	UC210-30
16	37	102	29	19	49	51,6	32,6	83	T210	UC210-31
16	37	102	29	19	49	51,6	32,6	83	T210	UC210
16	37	102	29	19	49	51,6	32,6	83	T210	UC210-32

Take-up housing units

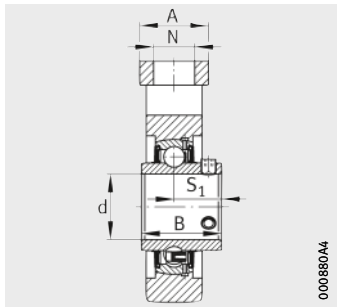
For linear motion
With grub screws
in inner ring



UCT

Dimension table (continued) · Dimensions in mm and inch

Designation	Mass m ≈ kg	Dimensions							
		d		H	L	L ₁	L ₂	L ₃	A
		mm	inch						
UCT211-32	3,98	50,8	2	146	171	106	19	95	64
UCT211-33	3,93	52,388	2 ^{1/16}	146	171	106	19	95	64
UCT211-34	3,87	53,975	2 ^{1/8}	146	171	106	19	95	64
UCT211	3,83	55	–	146	171	106	19	95	64
UCT211-35	3,81	55,563	2 ^{3/16}	146	171	106	19	95	64
UCT212-36	4,84	57,15	2 ^{1/4}	146	194	119	19	102	64
UCT212-37	4,77	58,738	2 ^{5/16}	146	194	119	19	102	64
UCT212	4,71	60	–	146	194	119	19	102	64
UCT212-38	4,69	60,325	2 ^{3/8}	146	194	119	19	102	64
UCT212-39	4,61	61,913	2 ^{7/16}	146	194	119	19	102	64
UCT213-40	6,68	63,5	2 ^{1/2}	167	224	137	21	121	70
UCT213	6,61	65	–	167	224	137	21	121	70
UCT213-41	6,61	65,088	2 ^{9/16}	167	224	137	21	121	70
UCT214-42	6,99	66,675	2 ^{5/8}	167	224	137	21	121	70
UCT214-43	6,89	68,263	2 ^{11/16}	167	224	137	21	121	70
UCT214-44	6,79	69,85	2 ^{3/4}	167	224	137	21	121	70
UCT214	6,78	70	–	167	224	137	21	121	70
UCT215-45	7,45	71,438	2 ^{13/16}	167	232	140	21	121	70
UCT215-46	7,34	73,025	2 ^{7/8}	167	232	140	21	121	70
UCT215-47	7,23	74,613	2 ^{15/16}	167	232	140	21	121	70
UCT215	7,2	75	–	167	232	140	21	121	70
UCT215-48	7,12	76,2	3	167	232	140	21	121	70
UCT216-49	8,27	77,788	3 ^{1/16}	184	235	140	21	121	70
UCT216-50	8,15	79,375	3 ^{1/8}	184	235	140	21	121	70
UCT216	8,09	80	–	184	235	140	21	121	70
UCT216-51	8,01	80,963	3 ^{3/16}	184	235	140	21	121	70
UCT217-52	10,9	82,55	3 ^{1/4}	198	260	162	29	157	73
UCT217-53	10,8	84,138	3 ^{5/16}	198	260	162	29	157	73
UCT217	10,7	85	–	198	260	162	29	157	73
UCT217-55	10,5	87,313	3 ^{7/16}	198	260	162	29	157	73
UCT218-56	12,37	88,9	3 ^{1/2}	215	275	170	30	140	80
UCT218	12,26	90	–	215	275	170	30	140	80

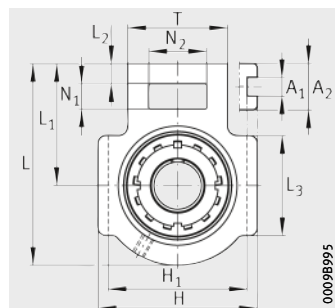


UCT

A_1 +0,3/0	A_2	H_1 0/-0,8	N	N_1	N_2	B	S_1	T	Housing	Radial insert ball bearing
22	38	130	35	25	64	55,6	33,4	102	T211	UC211-32
22	38	130	35	25	64	55,6	33,4	102	T211	UC211-33
22	38	130	35	25	64	55,6	33,4	102	T211	UC211-34
22	38	130	35	25	64	55,6	33,4	102	T211	UC211
22	38	130	35	25	64	55,6	33,4	102	T211	UC211-35
22	42	130	35	32	64	65,1	39,7	102	T212	UC212-36
22	42	130	35	32	64	65,1	39,7	102	T212	UC212-37
22	42	130	35	32	64	65,1	39,7	102	T212	UC212
22	42	130	35	32	64	65,1	39,7	102	T212	UC212-38
22	42	130	35	32	64	65,1	39,7	102	T212	UC212-39
26	44	151	41	32	70	65,1	39,7	111	T213	UC213-40
26	44	151	41	32	70	65,1	39,7	111	T213	UC213
26	44	151	41	32	70	65,1	39,7	111	T213	UC213-41
26	46	151	41	32	70	74,6	44,4	111	T214	UC214-42
26	46	151	41	32	70	74,6	44,4	111	T214	UC214-43
26	46	151	41	32	70	74,6	44,4	111	T214	UC214-44
26	46	151	41	32	70	74,6	44,4	111	T214	UC214
26	48	151	41	32	70	77,8	44,5	111	T215	UC215-45
26	48	151	41	32	70	77,8	44,5	111	T215	UC215-46
26	48	151	41	32	70	77,8	44,5	111	T215	UC215-47
26	48	151	41	32	70	77,8	44,5	111	T215	UC215
26	48	151	41	32	70	77,8	44,5	111	T215	UC215-48
26	51	165	41	32	70	82,6	49,3	111	T216	UC216-49
26	51	165	41	32	70	82,6	49,3	111	T216	UC216-50
26	51	165	41	32	70	82,6	49,3	111	T216	UC216
26	51	165	41	32	70	82,6	49,3	111	T216	UC216-51
30	54	173	48	38	73	85,7	51,6	124	T217	UC217-52
30	54	173	48	38	73	85,7	51,6	124	T217	UC217-53
30	54	173	48	38	73	85,7	51,6	124	T217	UC217
30	54	173	48	38	73	85,7	51,6	124	T217	UC217-55
28	55	190	47	40	80	96	56,3	130	T218	UC218-56
28	55	190	47	40	80	96	56,3	130	T218	UC218

Take-up housing units

For linear motion
With adapter sleeve

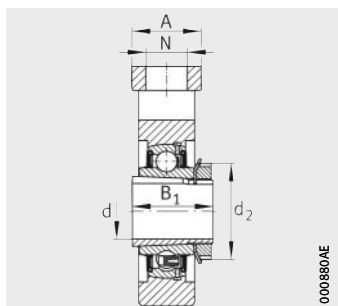


UKT

00098995

Dimension table · Dimensions in mm

Designation	Mass m ≈ kg	Dimensions						
		d	H	L	L ₁	L ₂	L ₃	A
UKT205	0,85	20	89	97	62	10	51	32
UKT206	1,29	25	102	113	70	10	57	37
UKT207	1,66	30	102	129	78	13	64	37
UKT208	2,4	35	114	144	88	16	83	49
UKT209	2,5	40	117	144	87	16	83	49
UKT210	2,7	45	117	149	90	16	86	49
UKT211	4	50	146	171	106	19	95	64
UKT212	4,79	55	146	194	119	19	102	64
UKT213	6,76	60	167	224	137	21	121	70
UKT215	7,69	65	167	232	140	21	121	70
UKT216	8,6	70	184	235	140	21	121	70
UKT217	11,2	75	198	260	162	29	157	73
UKT218	12,78	80	215	275	170	30	140	80

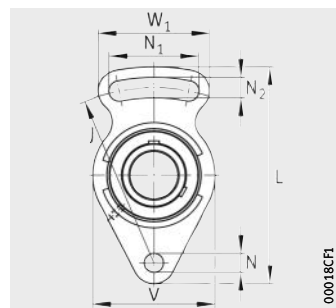


UKT

A_1	A_2	H_1	N	N_1	N_2	B_1	T	d_2 max.	Housing	Radial insert ball bearing
12 $\begin{smallmatrix} +0,2 \\ 0 \end{smallmatrix}$	24	76 $\begin{smallmatrix} 0 \\ -0,5 \end{smallmatrix}$	19	16	32	35	51	38	T205	UK205
12 $\begin{smallmatrix} +0,2 \\ 0 \end{smallmatrix}$	28	89 $\begin{smallmatrix} 0 \\ -0,5 \end{smallmatrix}$	22	16	37	38	56	45	T206	UK206
12 $\begin{smallmatrix} +0,2 \\ 0 \end{smallmatrix}$	30	89 $\begin{smallmatrix} 0 \\ -0,5 \end{smallmatrix}$	22	16	37	43	64	52	T207	UK207
16 $\begin{smallmatrix} +0,2 \\ 0 \end{smallmatrix}$	33	102 $\begin{smallmatrix} 0 \\ -0,5 \end{smallmatrix}$	29	19	49	46	83	58	T208	UK208
16 $\begin{smallmatrix} +0,2 \\ 0 \end{smallmatrix}$	35	102 $\begin{smallmatrix} 0 \\ -0,5 \end{smallmatrix}$	29	19	49	50	83	65	T209	UK209
16 $\begin{smallmatrix} +0,2 \\ 0 \end{smallmatrix}$	37	102 $\begin{smallmatrix} 0 \\ -0,5 \end{smallmatrix}$	29	19	49	55	83	70	T210	UK210
22 $\begin{smallmatrix} +0,3 \\ 0 \end{smallmatrix}$	38	130 $\begin{smallmatrix} 0 \\ -0,8 \end{smallmatrix}$	35	25	64	59	102	75	T211	UK211
22 $\begin{smallmatrix} +0,3 \\ 0 \end{smallmatrix}$	42	130 $\begin{smallmatrix} 0 \\ -0,8 \end{smallmatrix}$	35	32	64	62	102	80	T212	UK212
26 $\begin{smallmatrix} +0,3 \\ 0 \end{smallmatrix}$	44	151 $\begin{smallmatrix} 0 \\ -0,8 \end{smallmatrix}$	41	32	70	65	111	85	T213	UK213
26 $\begin{smallmatrix} +0,3 \\ 0 \end{smallmatrix}$	48	151 $\begin{smallmatrix} 0 \\ -0,8 \end{smallmatrix}$	41	32	70	73	111	98	T215	UK215
26 $\begin{smallmatrix} +0,3 \\ 0 \end{smallmatrix}$	51	165 $\begin{smallmatrix} 0 \\ -0,8 \end{smallmatrix}$	41	32	70	78	111	105	T216	UK216
30 $\begin{smallmatrix} +0,3 \\ 0 \end{smallmatrix}$	54	173 $\begin{smallmatrix} 0 \\ -0,8 \end{smallmatrix}$	48	38	73	82	124	110	T217	UK217
28 $\begin{smallmatrix} +0,3 \\ 0 \end{smallmatrix}$	55	190 $\begin{smallmatrix} 0 \\ -0,8 \end{smallmatrix}$	47	40	80	86	130	120	T218	UK218

Take-up housing units

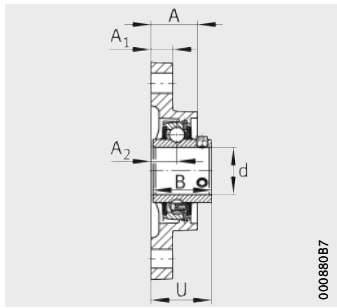
For swivel motion
With grub screws
in inner ring



UCFA

Dimension table · Dimensions in mm and inch

Designation	Mass m ≈ kg	Dimensions		J	L	A	A ₁	A ₂
		d mm	inch					
UCFA201	0,45	12	–	78	98	25,5	12	15
UCFA201-08	0,44	12,7	1/2	78	98	25,5	12	15
UCFA202-09	0,43	14,288	9/16	78	98	25,5	12	15
UCFA202	0,43	15	–	78	98	25,5	12	15
UCFA202-10	0,43	15,875	5/8	78	98	25,5	12	15
UCFA203	0,42	17	–	78	98	25,5	12	15
UCFA203-11	0,42	17,463	11/16	78	98	25,5	12	15
UCFA204-12	0,41	19,05	3/4	78	98	25,5	12	15
UCFA204	0,41	20	–	78	98	25,5	12	15
UCFA205-13	0,67	20,638	13/16	98	125	27	14	16
UCFA205-14	0,66	22,225	7/8	98	125	27	14	16
UCFA205-15	0,64	23,813	15/16	98	125	27	14	16
UCFA205	0,63	25	–	98	125	27	14	16
UCFA205-16	0,62	25,4	1	98	125	27	14	16
UCFA206-17	0,94	26,988	11/16	117	144	31	14	18
UCFA206-18	0,92	28,575	11/8	117	144	31	14	18
UCFA206	0,9	30	–	117	144	31	14	18
UCFA206-19	0,9	30,163	13/16	117	144	31	14	18
UCFA206-20	0,88	31,75	11/4	117	144	31	14	18

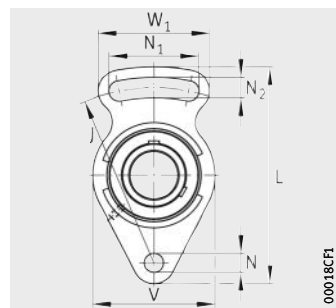


UCFA

N	N ₁	N ₂	B	U	V	W ₁	Housing	Radial insert ball bearing
10	40	10	31	33,3	60	50	FA204	UC201
10	40	10	31	33,3	60	50	FA204	UC201-08
10	40	10	31	33,3	60	50	FA204	UC202-09
10	40	10	31	33,3	60	50	FA204	UC202
10	40	10	31	33,3	60	50	FA204	UC202-10
10	40	10	31	33,3	60	50	FA204	UC203
10	40	10	31	33,3	60	50	FA204	UC203-11
10	40	10	31	33,3	60	50	FA204	UC204-12
10	40	10	31	33,3	60	50	FA204	UC204
12	51	12	34,1	35,8	68	66	FA205	UC205-13
12	51	12	34,1	35,8	68	66	FA205	UC205-14
12	51	12	34,1	35,8	68	66	FA205	UC205-15
12	51	12	34,1	35,8	68	66	FA205	UC205
12	51	12	34,1	35,8	68	66	FA205	UC205-16
12	58	12	38,1	40,2	80	72	FA206	UC206-17
12	58	12	38,1	40,2	80	72	FA206	UC206-18
12	58	12	38,1	40,2	80	72	FA206	UC206
12	58	12	38,1	40,2	80	72	FA206	UC206-19
12	58	12	38,1	40,2	80	72	FA206	UC206-20

Take-up housing units

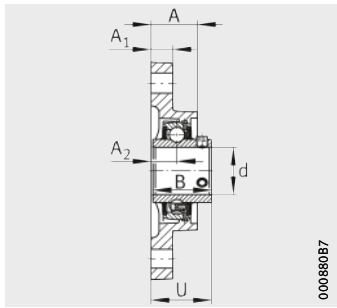
For swivel motion
With grub screws
in inner ring



UCFA

Dimension table (continued) - Dimensions in mm and inch

Designation	Mass m ≈ kg	Dimensions						
		d		J	L	A	A ₁	A ₂
		mm	inch					
UCFA207-20	1,29	31,75	1 ¹ / ₄	130	161	34	16	19
UCFA207-21	1,26	33,338	1 ⁵ / ₁₆	130	161	34	16	19
UCFA207-22	1,24	34,925	1 ³ / ₈	130	161	34	16	19
UCFA207	1,23	35	–	130	161	34	16	19
UCFA207-23	1,21	36,513	1 ⁷ / ₁₆	130	161	34	16	19
UCFA208-24	1,58	38,1	1 ¹ / ₂	144	175	36	16	21
UCFA208-25	1,54	39,688	1 ⁹ / ₁₆	144	175	36	16	21
UCFA208	1,53	40	–	144	175	36	16	21
UCFA209-26	1,99	41,275	1 ⁵ / ₈	148	181	38	18	22
UCFA209-27	1,95	42,863	1 ¹¹ / ₁₆	148	181	38	18	22
UCFA209-28	1,91	44,45	1 ³ / ₄	148	181	38	18	22
UCFA209	1,9	45	–	148	181	38	18	22
UCFA210-29	2,2	46,038	1 ¹³ / ₁₆	157	190	37,5	18	22
UCFA210-30	2,16	47,625	1 ⁷ / ₈	157	190	37,5	18	22
UCFA210-31	2,11	49,213	1 ¹⁵ / ₁₆	157	190	37,5	18	22
UCFA210	2,08	50	–	157	190	37,5	18	22
UCFA210-32	2,06	50,8	2	157	190	37,5	18	22
UCFA211-32	3,1	50,8	2	184	219	43	20	25
UCFA211-33	3,05	52,388	2 ¹ / ₁₆	184	219	43	20	25
UCFA211-34	2,99	53,975	2 ¹ / ₈	184	219	43	20	25
UCFA211	2,95	55	–	184	219	43	20	25
UCFA211-35	2,93	55,563	2 ³ / ₁₆	184	219	43	20	25



UCFA

000880B7

N	N ₁	N ₂	B	U	V	W ₁	Housing	Radial insert ball bearing
14	66	14	42,9	44,4	90	82	FA207	UC207-20
14	66	14	42,9	44,4	90	82	FA207	UC207-21
14	66	14	42,9	44,4	90	82	FA207	UC207-22
14	66	14	42,9	44,4	90	82	FA207	UC207
14	66	14	42,9	44,4	90	82	FA207	UC207-23
14	71	14	49,2	51,2	100	87	FA208	UC208-24
14	71	14	49,2	51,2	100	87	FA208	UC208-25
14	71	14	49,2	51,2	100	87	FA208	UC208
16	72	16	49,2	52,2	108	90	FA209	UC209-26
16	72	16	49,2	52,2	108	90	FA209	UC209-27
16	72	16	49,2	52,2	108	90	FA209	UC209-28
16	72	16	49,2	52,2	108	90	FA209	UC209
16	76	16	51,6	54,6	115	94	FA210	UC210-29
16	76	16	51,6	54,6	115	94	FA210	UC210-30
16	76	16	51,6	54,6	115	94	FA210	UC210-31
16	76	16	51,6	54,6	115	94	FA210	UC210
16	76	16	51,6	54,6	115	94	FA210	UC210-32
16	86	16	55,6	58,4	130	104	FA211	UC211-32
16	86	16	55,6	58,4	130	104	FA211	UC211-33
16	86	16	55,6	58,4	130	104	FA211	UC211-34
16	86	16	55,6	58,4	130	104	FA211	UC211
16	86	16	55,6	58,4	130	104	FA211	UC211-35

Schaeffler Technologies AG & Co. KG

Georg-Schäfer-Straße 30

97421 Schweinfurt

Germany

Internet www.fag.com

E-mail faginfo@schaeffler.com

In Germany:

Phone 0180 5003872

Fax 0180 5003873

From other countries:

Phone +49 9721 91-0

Fax +49 9721 91-3435

Every care has been taken to ensure the correctness of the information contained in this publication but no liability can be accepted for any errors or omissions.

We reserve the right to make technical changes.

© Schaeffler Technologies AG & Co. KG

Issued: 2016, September

This publication or parts thereof may not be reproduced without our permission.

TPI 219 GB-D